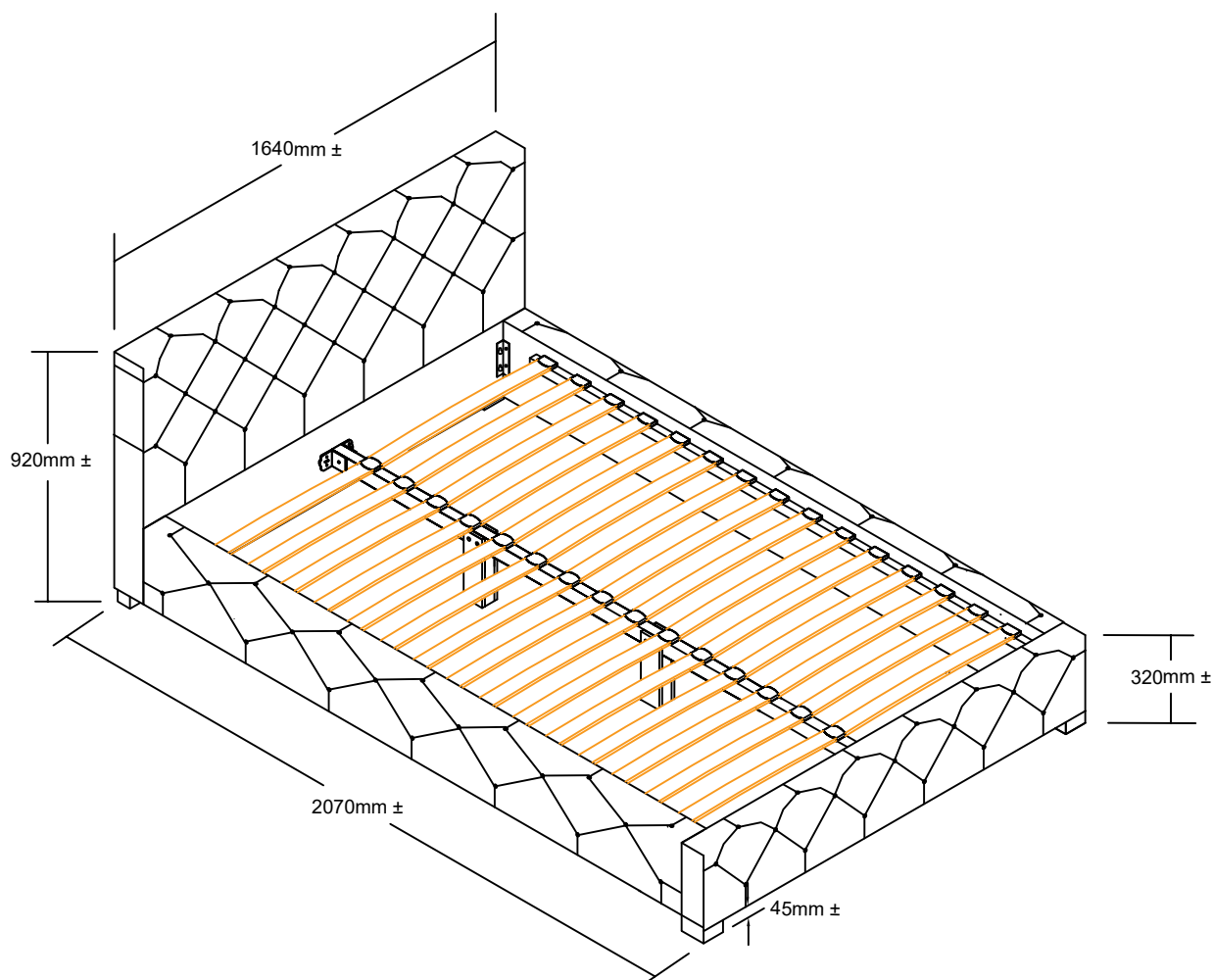


KA933

Home Treats

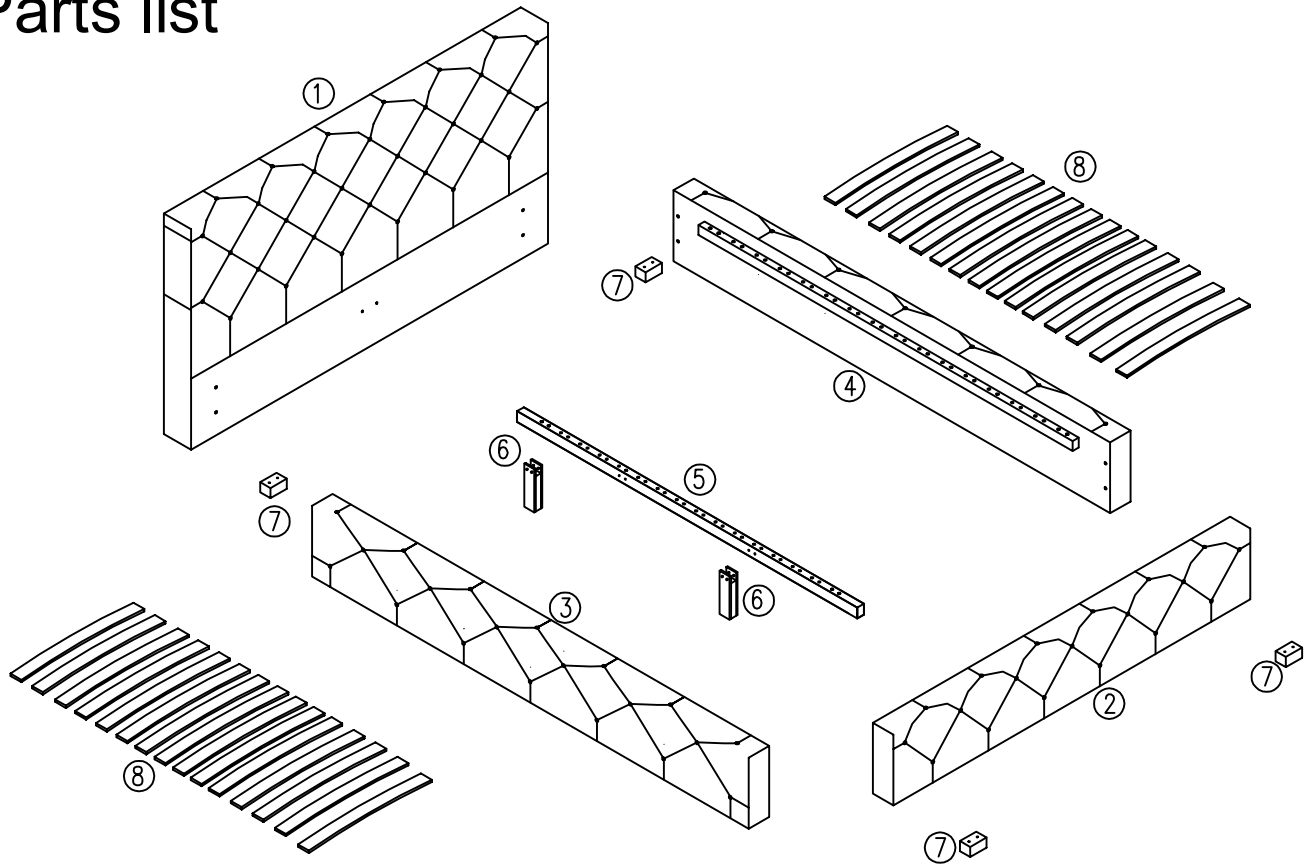
ASSEMBLY INSTRUCTIONS



Attention: Please remove mattress from the bed should you wish to clean the floor under the bed . Dragging the bed around with mattress might compromise the bed construction ,stability or cause permanent damage.

In the unlikely event parts are missing or damaged in transit
Please contact the seller on website your purchase was made
Our customer service team will assist .
We are able to arrange replacement parts to complete assembly

Parts list



Hardware list

Label	Picture	Description	Qty	Label	Picture	Description	Qty
A		Single Plastic Cap	30	H		Bolt M8x65	4
B		Double Plastic Cap	15	I		Bolt M6x20	4
C		Metal U Bracket	2	J		Screw 3.5x15	4
D		Bolt M8x25	16	K		Screw 4x45	8
E		Spring Washer	12	L		Connection Plate Left	2
F		Washer M8	12	R		Connection Plate Right	2
G		Nut	4				

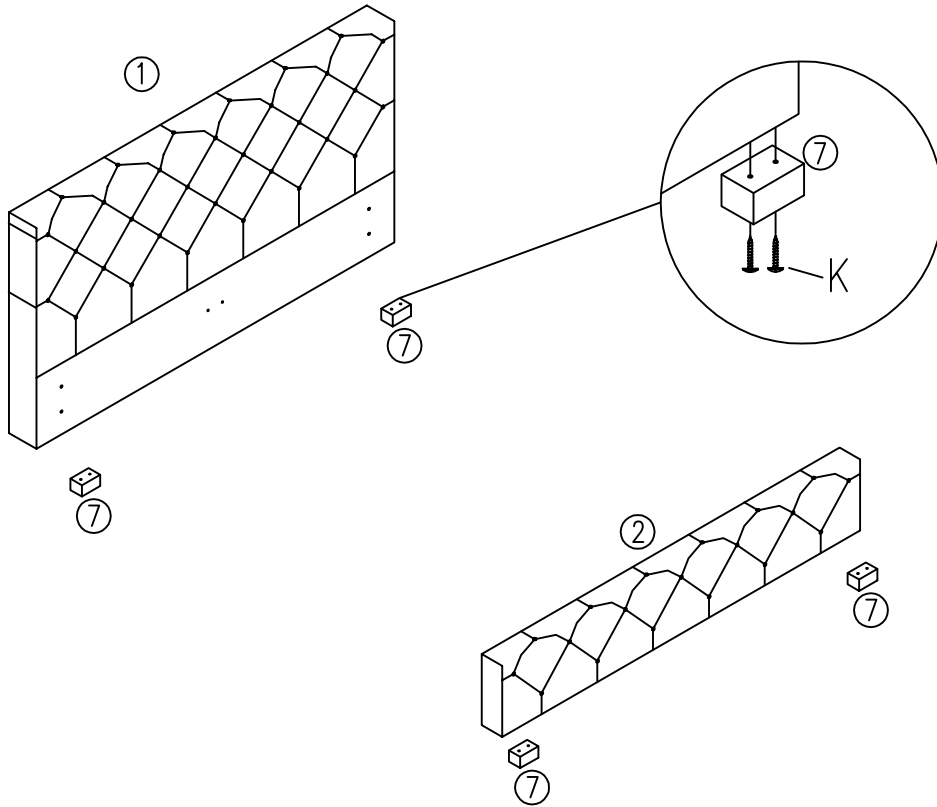
TOOL list

Label	Picture	Description	Qty
T-1		Screw driver (not provided)	1
T-2		Allen key M5	1
T-3		Allen key M4	1
T-4		Spanner	1

Step 1

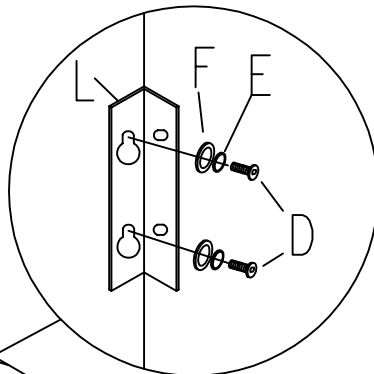
K ← 8pcs

Screw 4x45




Step 2

Step 2 b



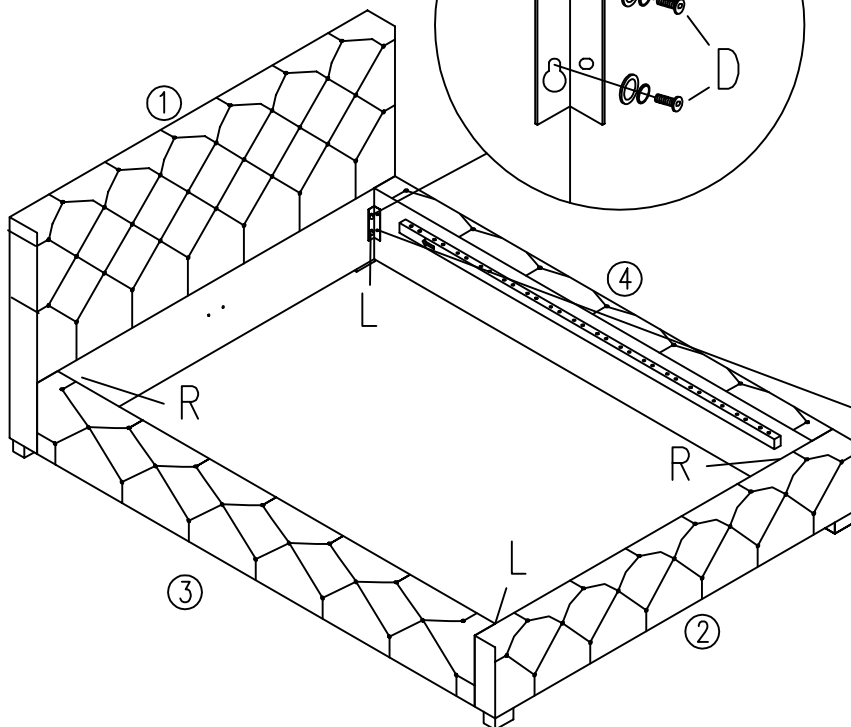
L  2pcs
Connection
Plate Left

R  2pcs
Connection
Plate Right

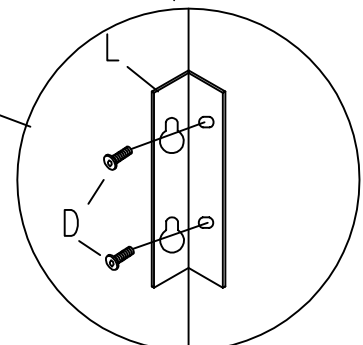
D  16pcs
Bolt M8x25

E  8pcs
Spring Washer

F  8pcs
Washer M8

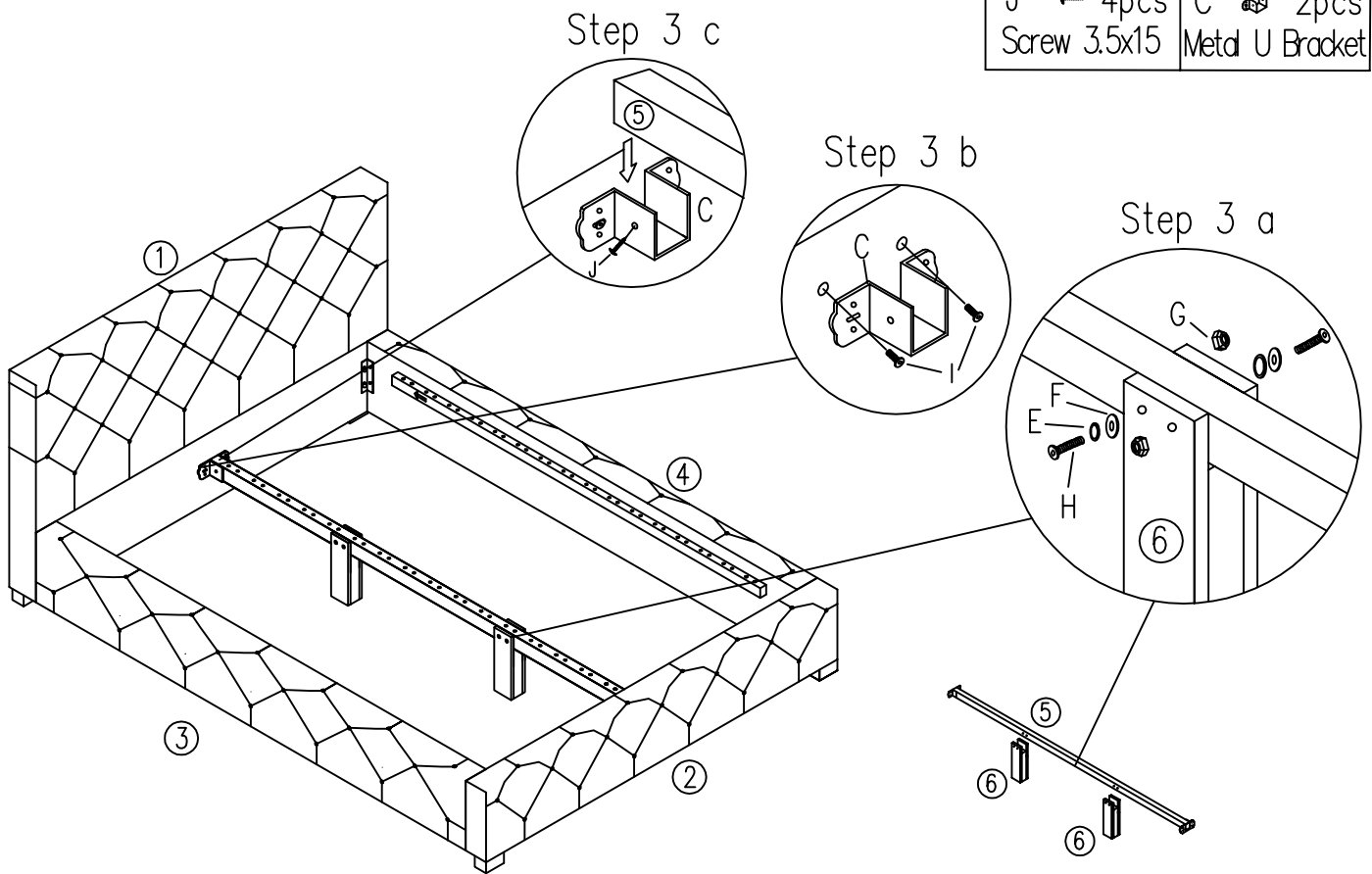


Step 2 a



Step 3

E 4pcs Spring Washer	F 4pcs Washer M8	G 4pcs Nut	H 4pcs Bolt M8x65	I 4pcs Bolt M6x20
			J 4pcs Screw 3.5x15	C 2pcs Metd U Bracket



Step 4

A 30pcs Single Plastic Cap	B 15pcs Double Plastic Cap
-------------------------------	-------------------------------

