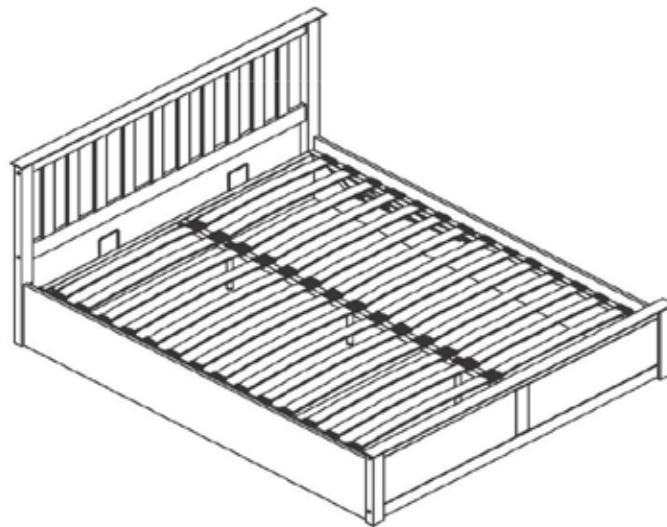




## Home Treats ASSEMBLY INSTRUCTIONS

KA993



### SAFETY AND CARE ADVICE

**IMPORTANT - PLEASE READ THESE INSTRUCTIONS FULLY BEFORE STARTING ASSEMBLY**

#### HELPFUL HINTS

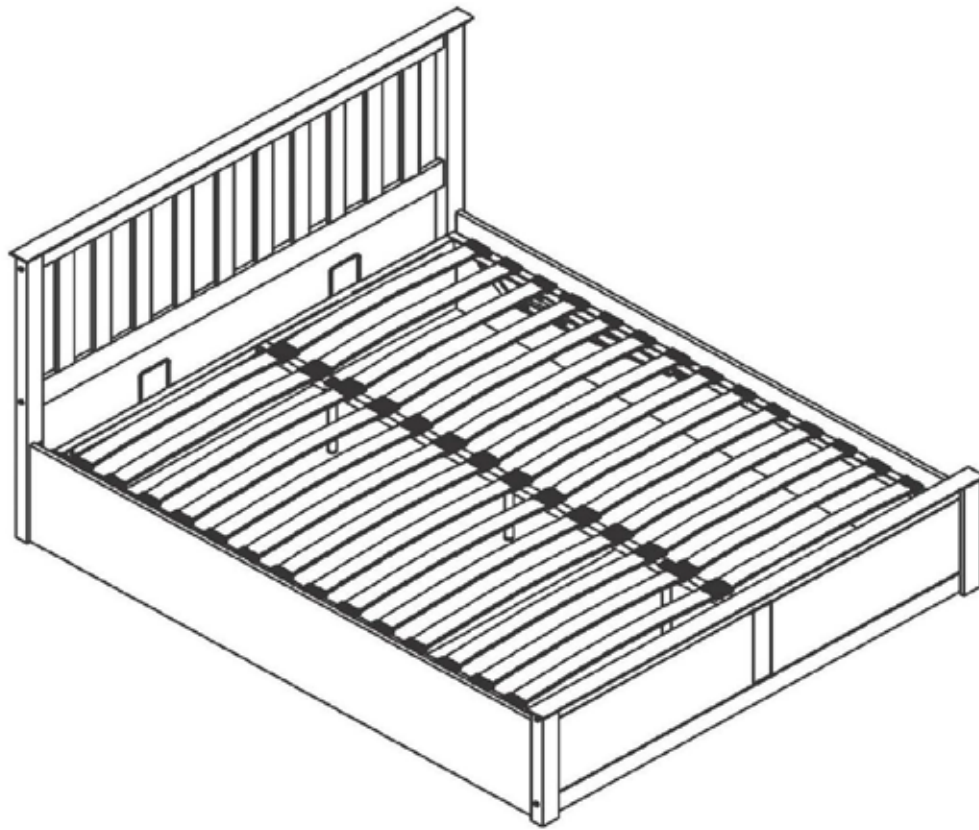
- Please read through the assembly instructions thoroughly before you begin.
- Check all fittings and panels against the parts list to ensure that you have everything before you start. In the unlikely event that any parts are missing, please contact your retailer immediately.
- Remove all fittings from the plastic bags and separate them into their groups in a bowl or other container to stop any small parts being lost.
- Only use tools that are listed on your assembly instructions. The use of power tools is NOT advised, this could damage your product and cause over tightening to occur.
- Assemble the item as close to its final position (in the same room) as possible.
- Make sure you have enough space to layout the parts before starting.
- Assemble on a soft level surface to avoid damaging the unit or your floor.
- Parts of the assembly will be easier with 2 people.
- Check you have all the components and tools listed on the next page.

#### CARE AND MAINTENANCE

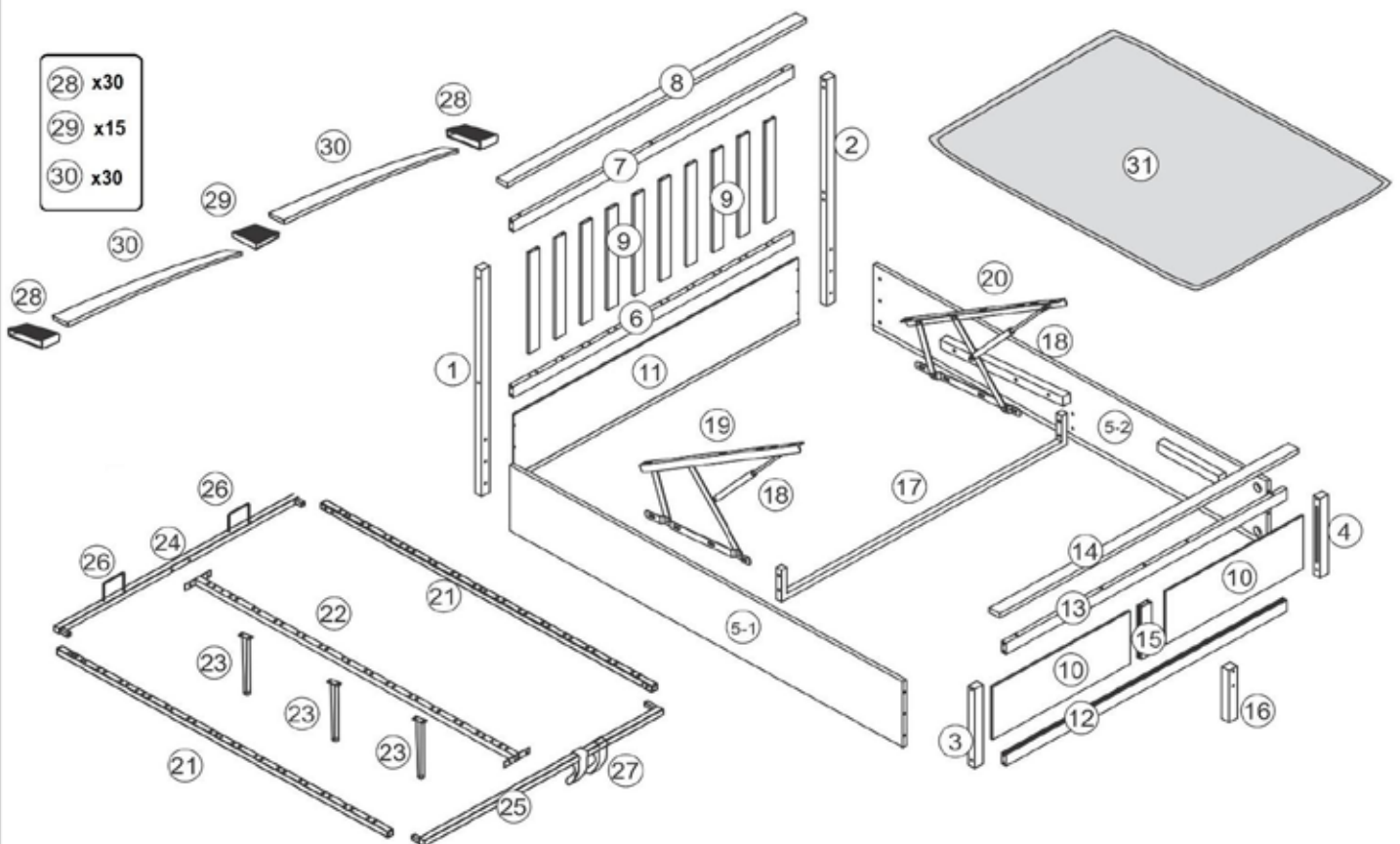
- Periodically check there are no loose screws or fittings.
- For cleaning please use a clean damp cloth or duster. Use of abrasive or chemical cleaners will most likely scratch or damage the surface of your product.

#### SAFETY










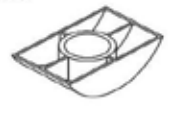


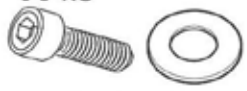



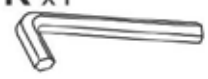




- Keep children and animals away from the work area, small parts could choke if swallowed.
- Do not stand on the product, this could cause damage.
- Dispose of all packaging carefully and responsibly.



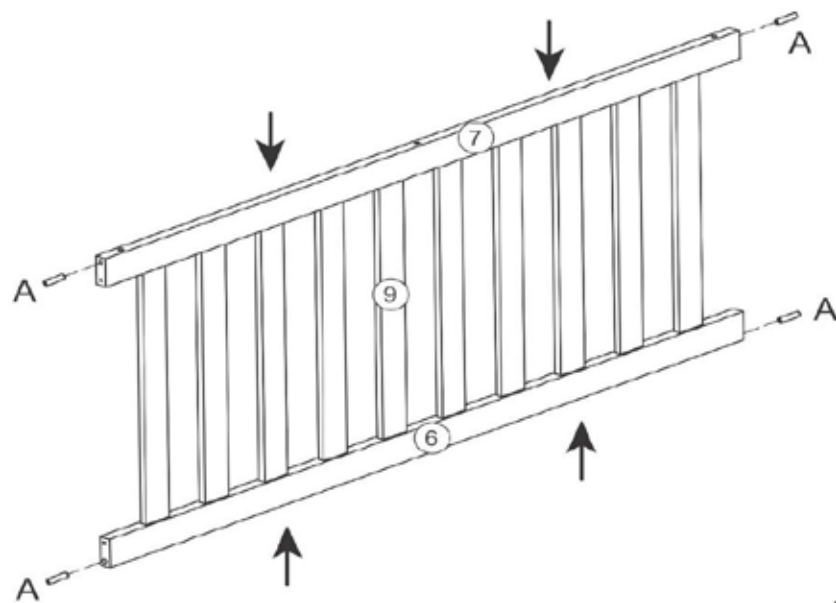
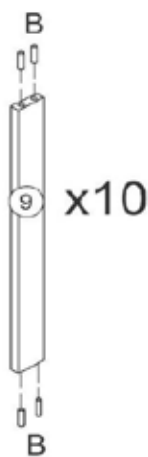
## COMPONENTS



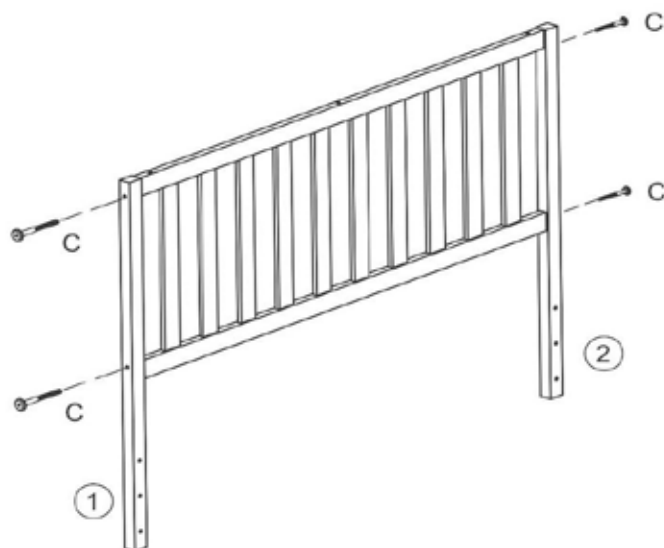
# HARDWARE

<b>A x4</b>  Wood Dowel Φ8x30mm	<b>B x48</b>  Wood Dowel Φ6x30mm	<b>C x8</b>  Bolt Φ6x70mm	<b>D x9</b>  Bolt M6x65mm	<b>E x6</b>  T-Nut
<b>F x6</b>  Bolt M6x50mm	<b>G x4</b>  Bolt M6x35mm	<b>H x6</b>  Stud M6x60mm	<b>J x6</b>  Nut M6	<b>K x6</b>  Half Moon Washer
<b>L x1</b>  Spanner M6	<b>M x1</b>  Allen Key M4	<b>N x8</b>  Bolt & Washer Φ8x20mm	<b>O x24</b>  Bolt Φ8x15mm	<b>P x4</b>  Nut M8
<b>Q x1</b>  Spanner M10	<b>R x1</b>  Allen Key M5	<b>S x2</b>  Screw Φ4x50mm	<b>T x1</b>  Wood Glue	<b>U x6</b>  Screw Φ4x20mm
<b>I x1</b>  Screw driver (not provided)				

## Step 01

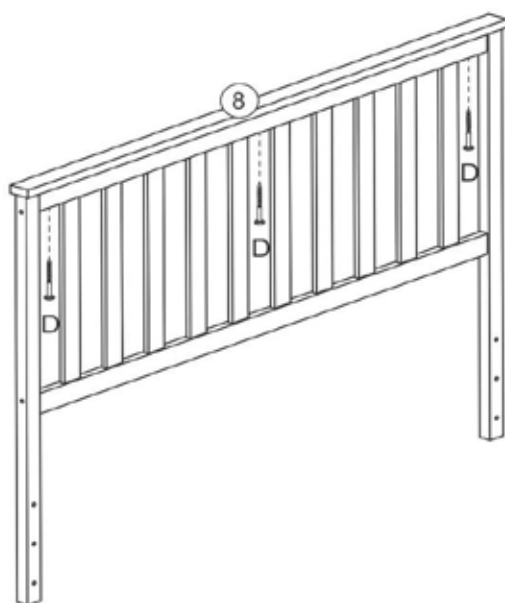


## Step 02



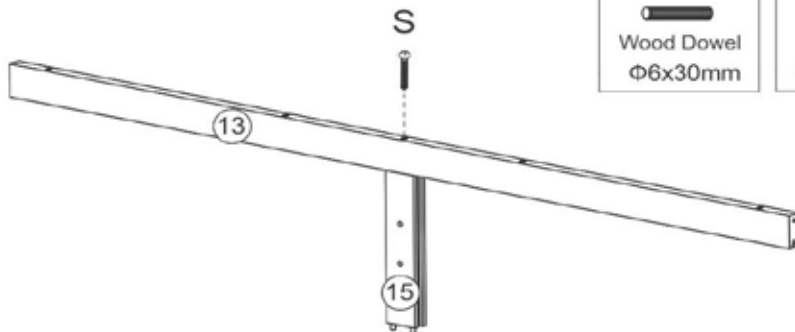
**C** x4  
Bolt  
Φ6x70mm

## Step 03



**D** x3  
Bolt  
M6x65mm

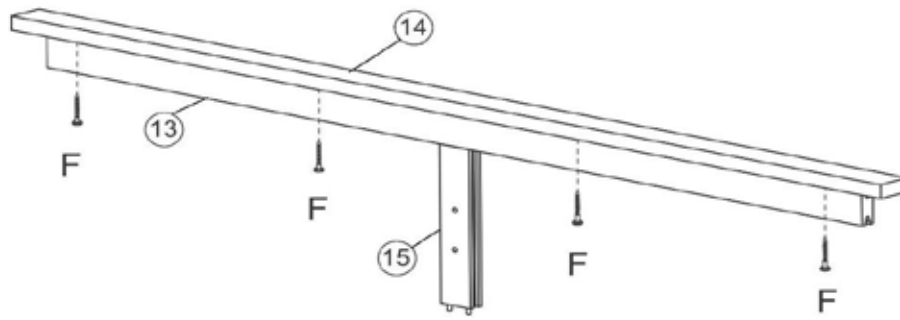
## Step 04



**B** x4  
Wood Dowel  
Φ6x30mm

**S** x1  
Screw  
Φ4x50mm

## Step 05

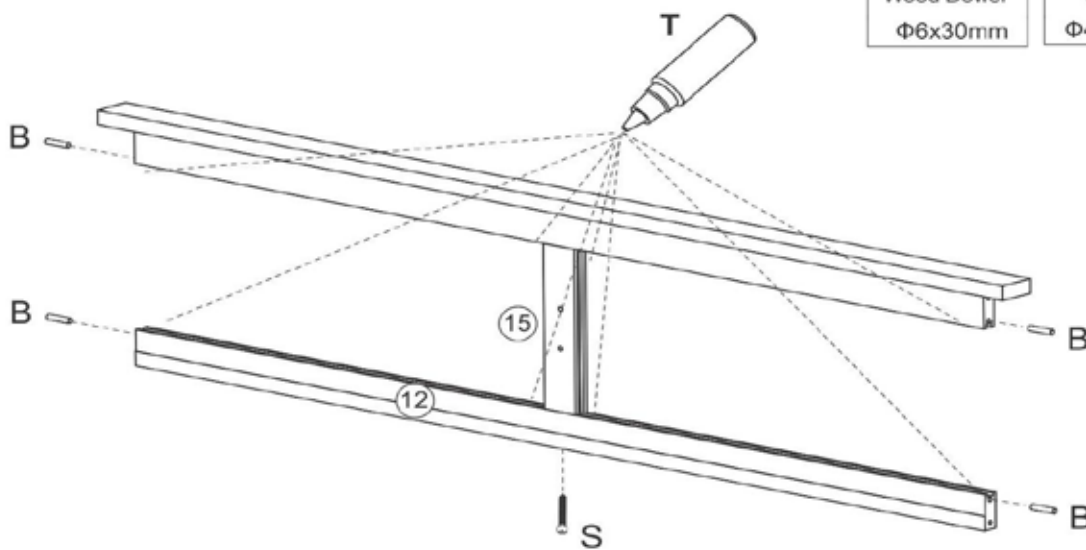


**F** x4



Bolt  
M6x50mm

## Step 06



**B** x4



Wood Dowel  
Φ6x30mm

**S** x1

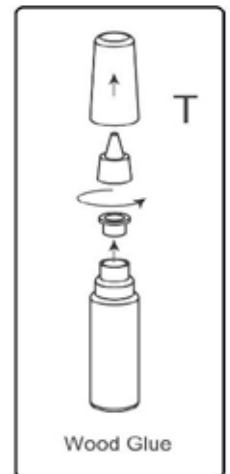


Screw  
Φ4x50mm

**T** x1

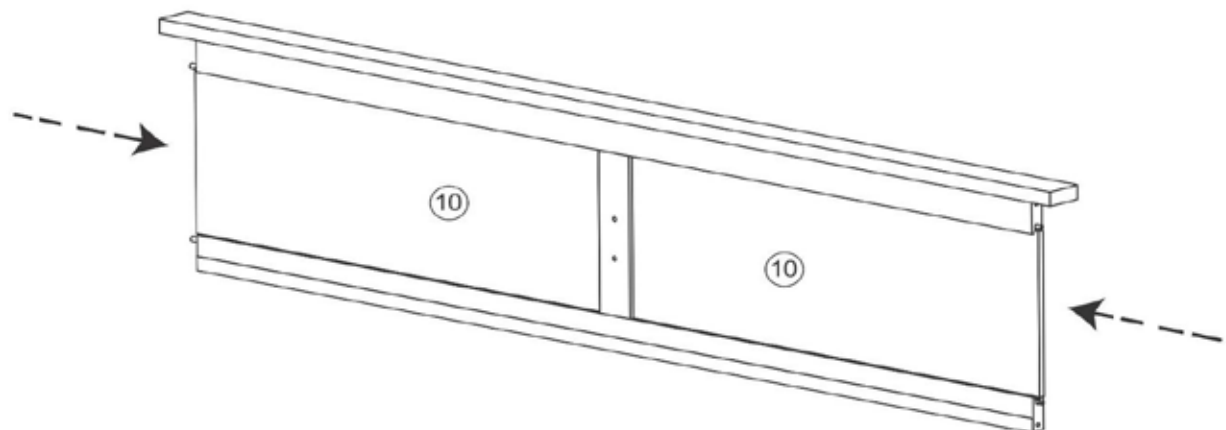


Wood Glue

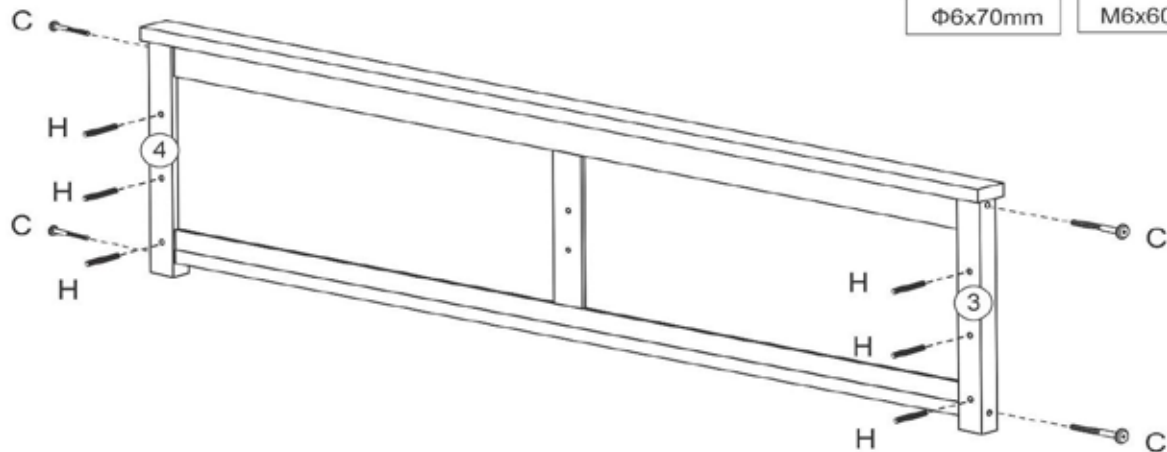


Wood Glue

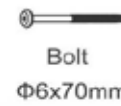
## Step 07



## Step 08



**C** x4



Bolt

Φ6x70mm

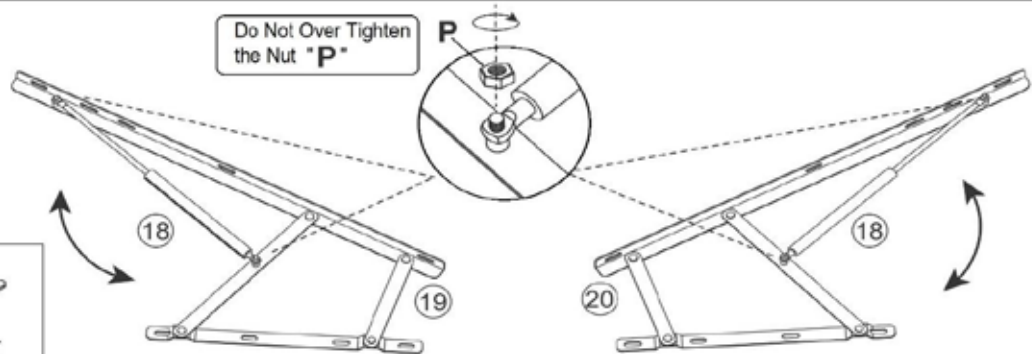
**H** x6



Stud

M6x60mm

## Step 09



Do Not Over Tighten  
the Nut "P"

**P** x4



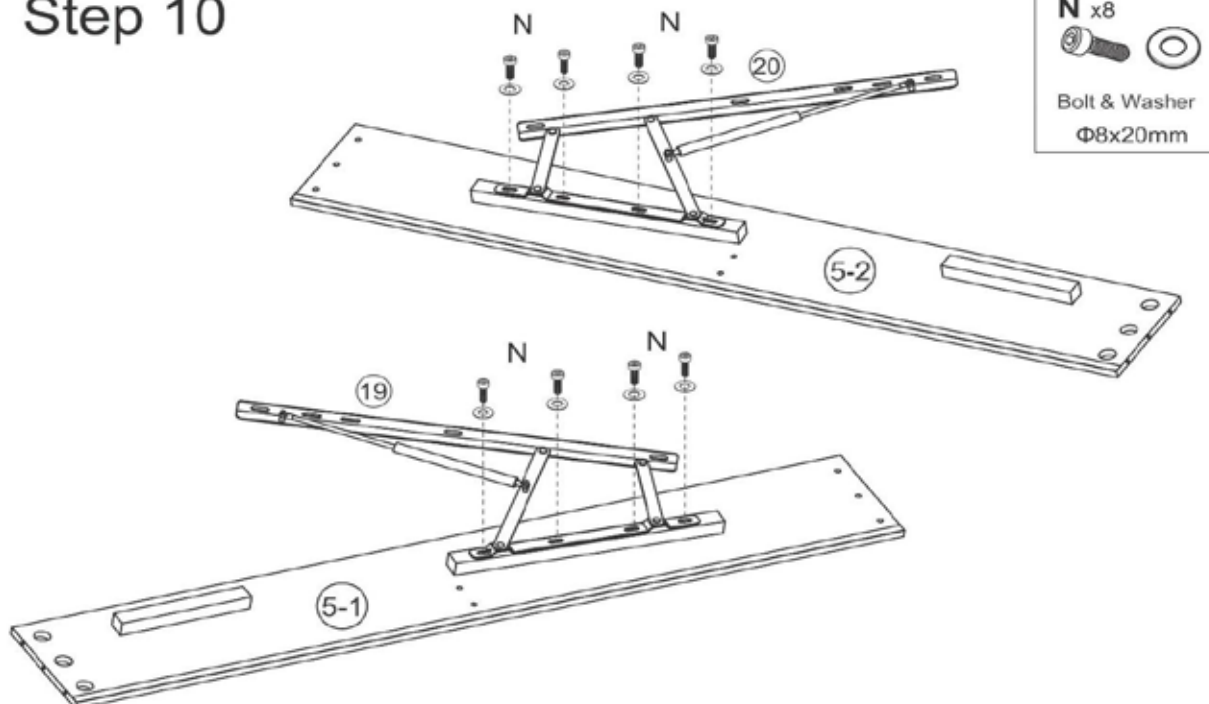
But  
M8

**Q** x1



Spanner  
M10

## Step 10

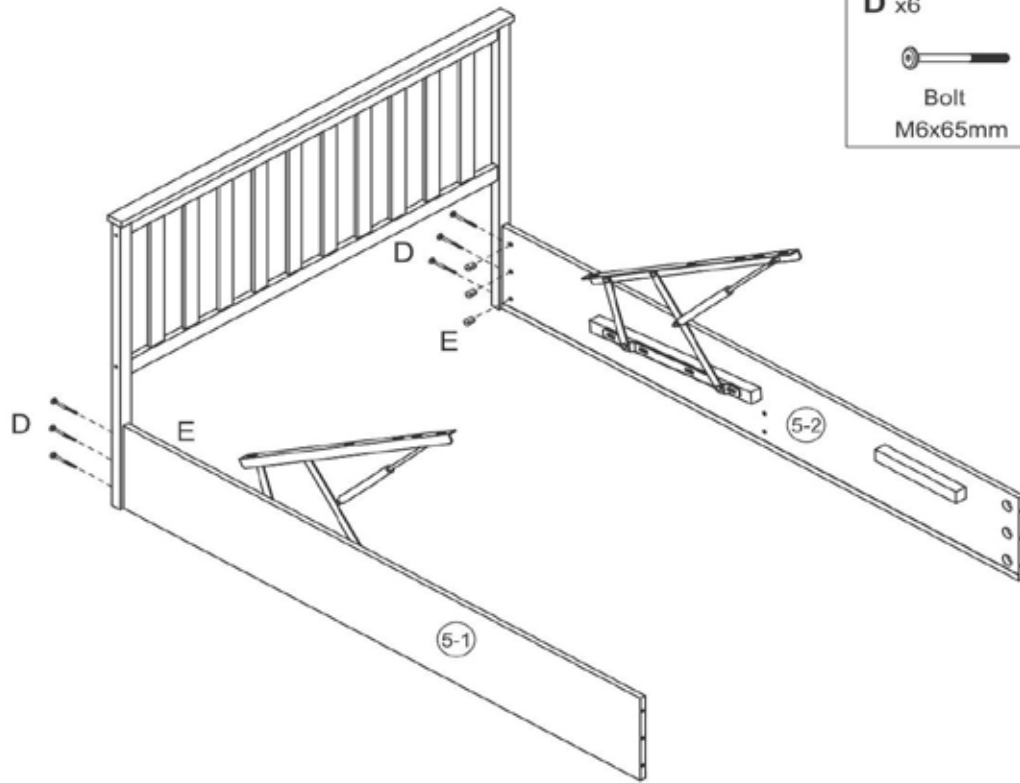




**N** x8



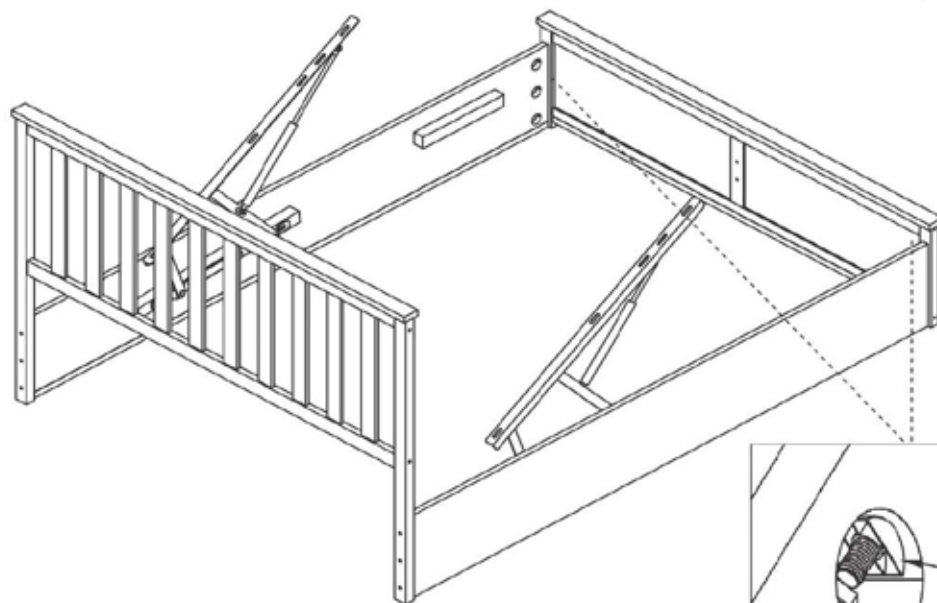
Bolt & Washer  
Φ8x20mm

# Step 11

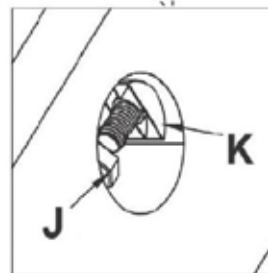


<b>D</b> x6  Bolt M6x65mm	<b>E</b> x6  T-Nut
---	---

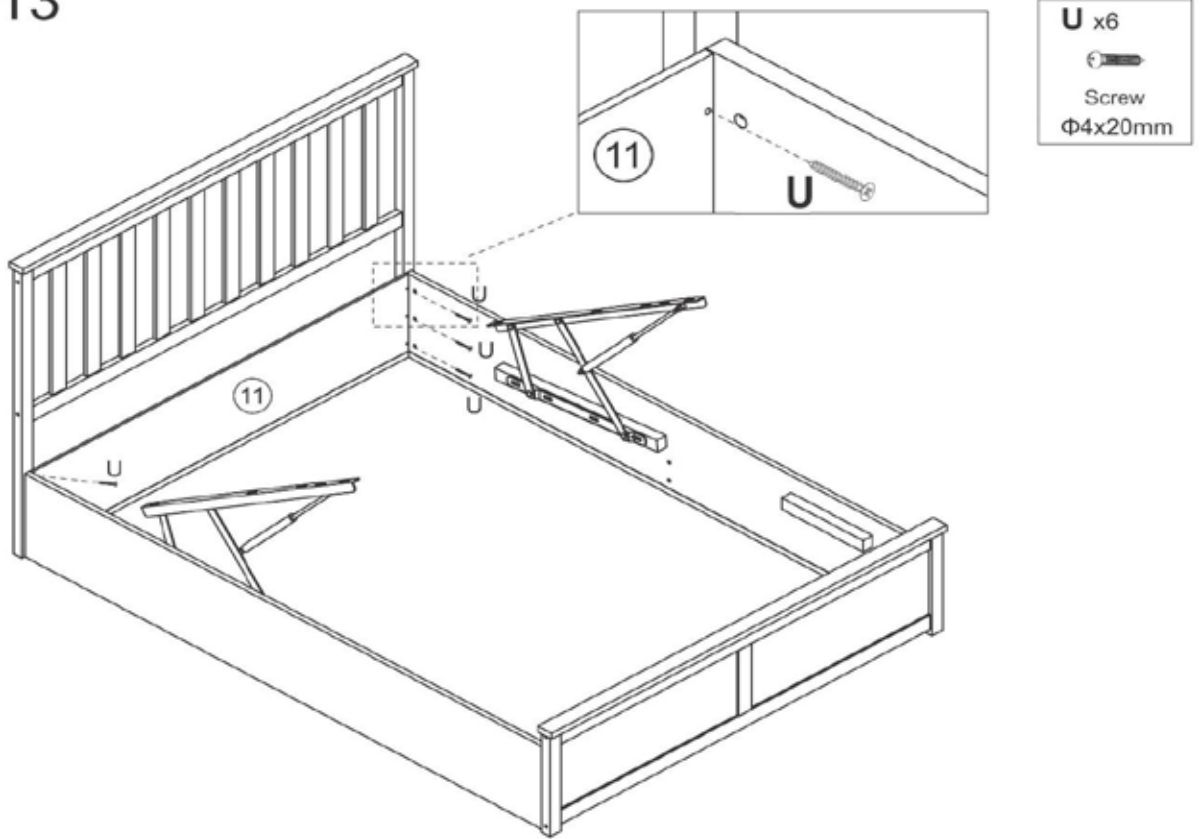
# Step 12



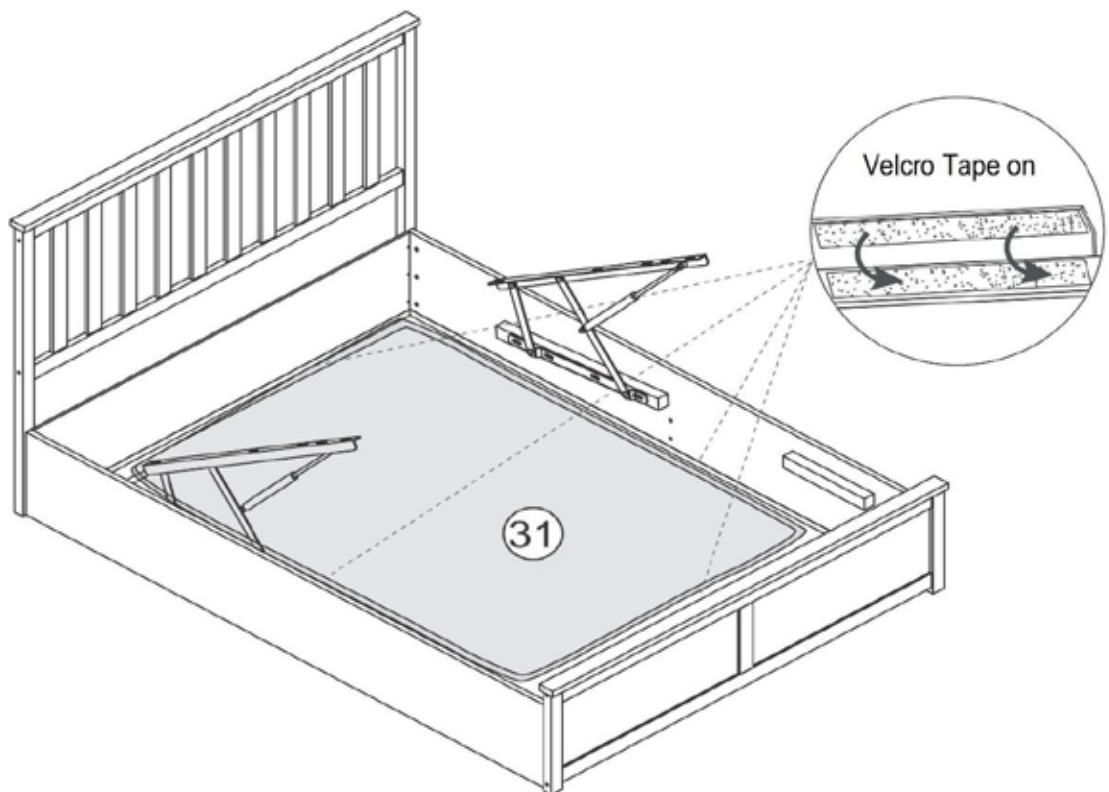
<b>J</b> x6  Nut M6	<b>K</b> x6  Half Moon Washer	<b>L</b> x1  Spanner M6
--	--	---



## Step 13



## Step 14

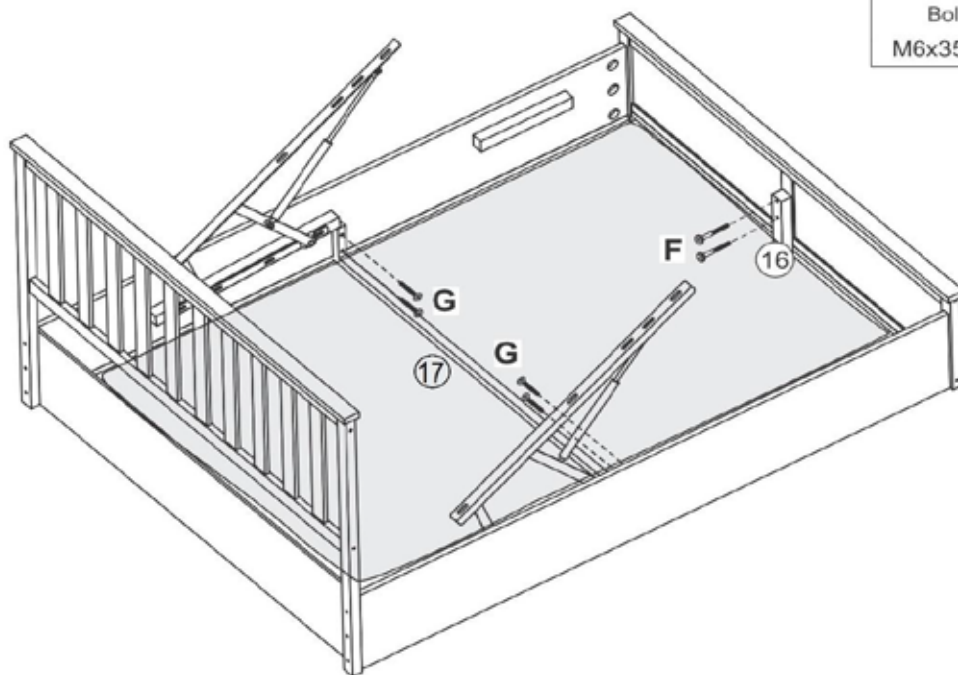




# Step 15

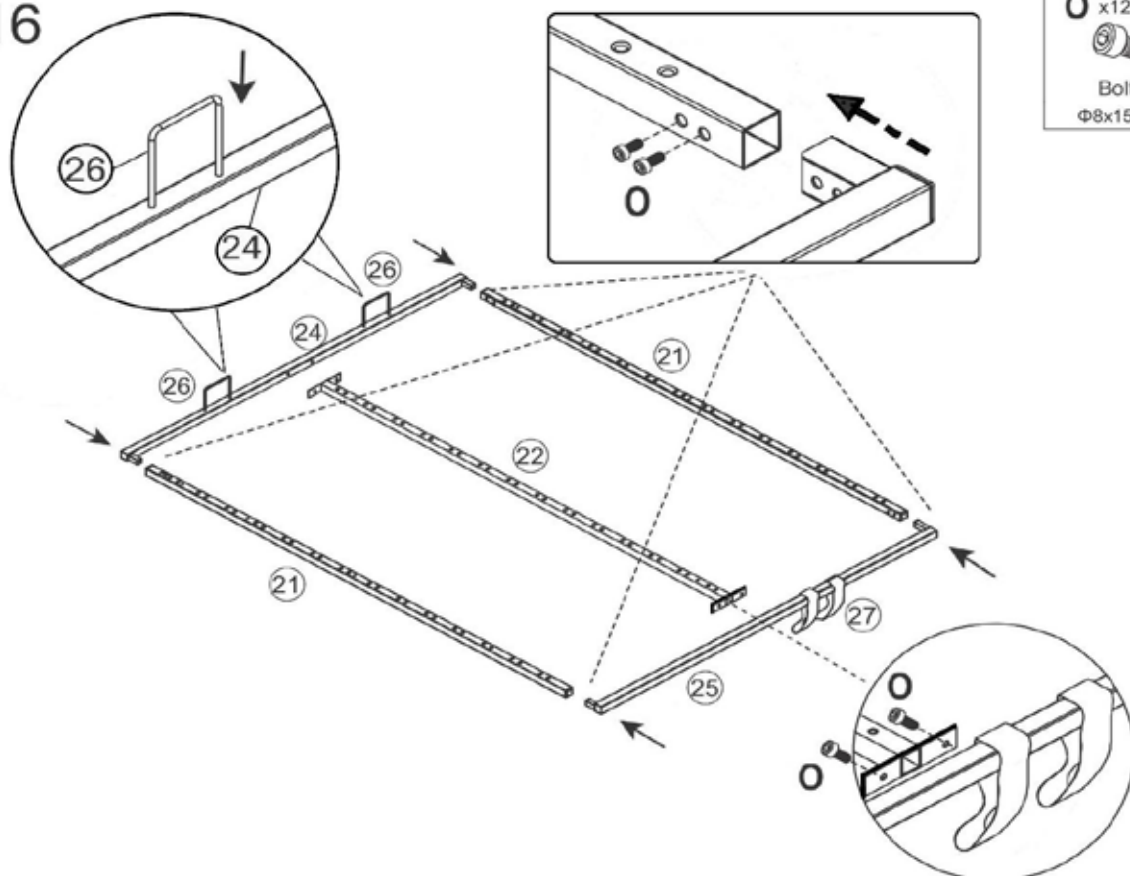
**G** x4  
Bolt  
M6x35mm

**F** x2  
Bolt  
M6x50mm

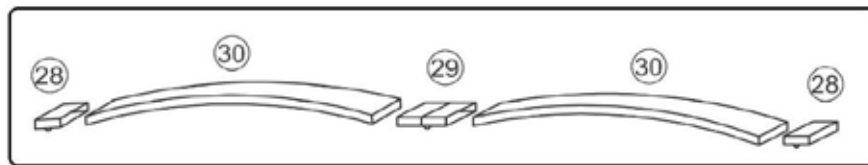


# Step 16

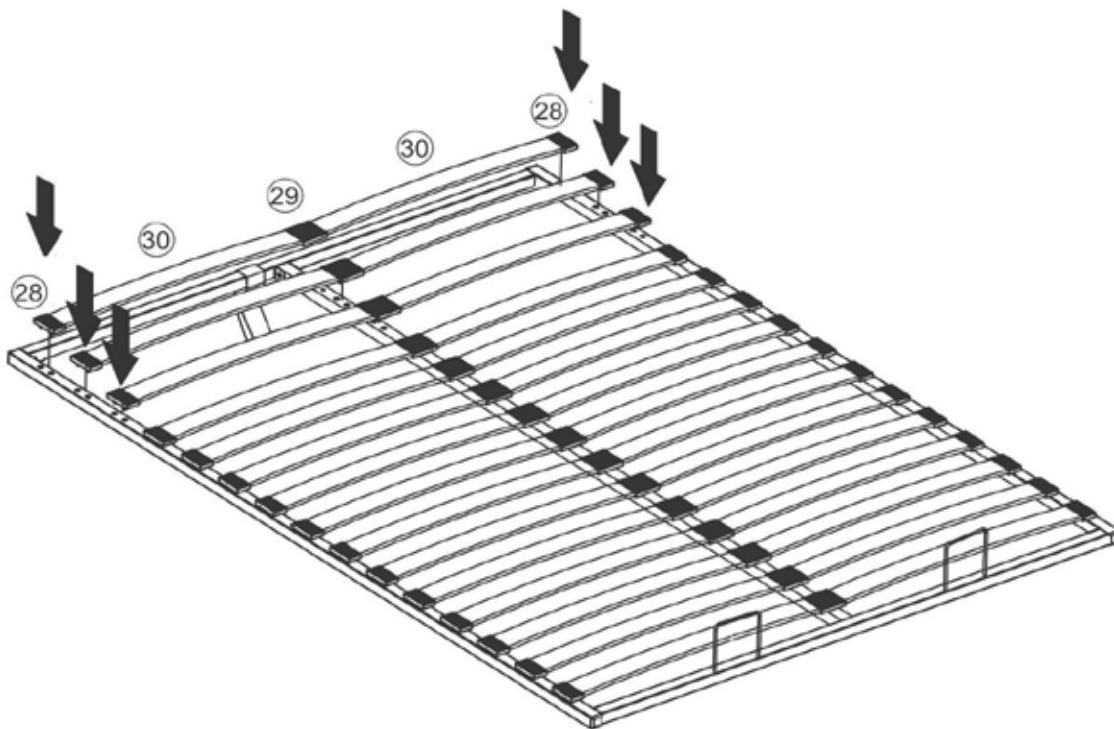
**O** x12  
Bolt  
Φ8x15mm



# Step 17

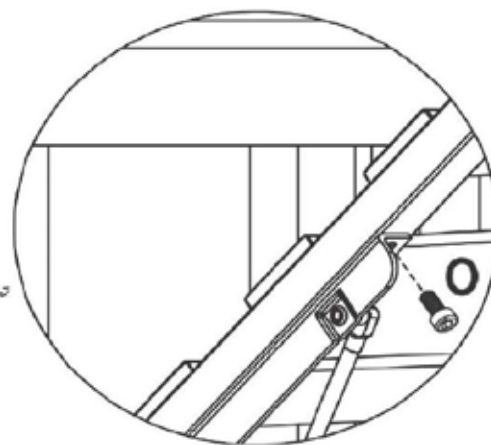
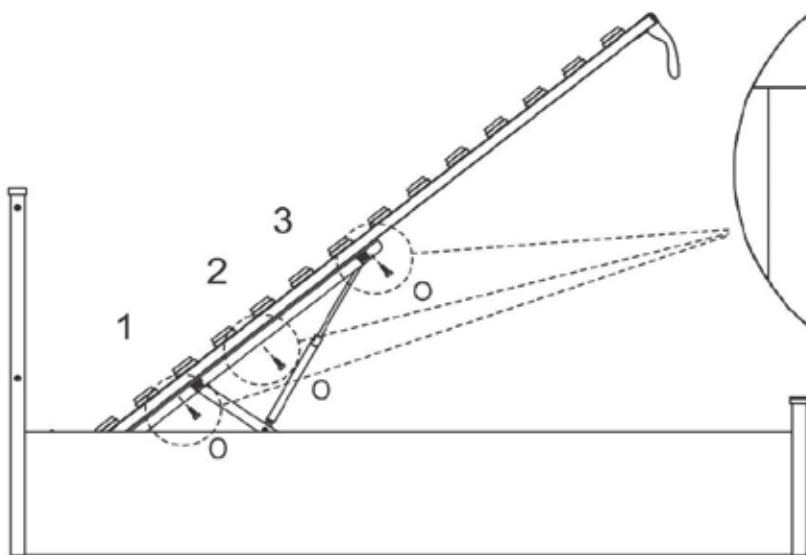


- 28 x30
- 29 x15
- 30 x30

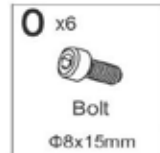
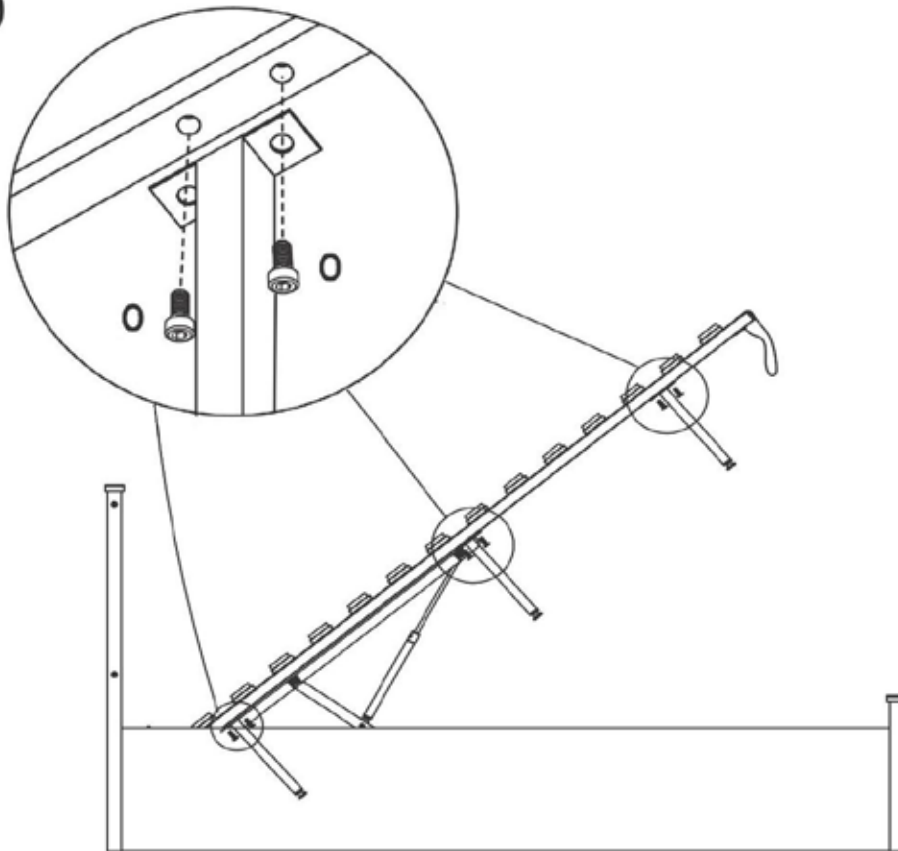


# Step 18

- O x6
- Bolt
- Φ8x15mm

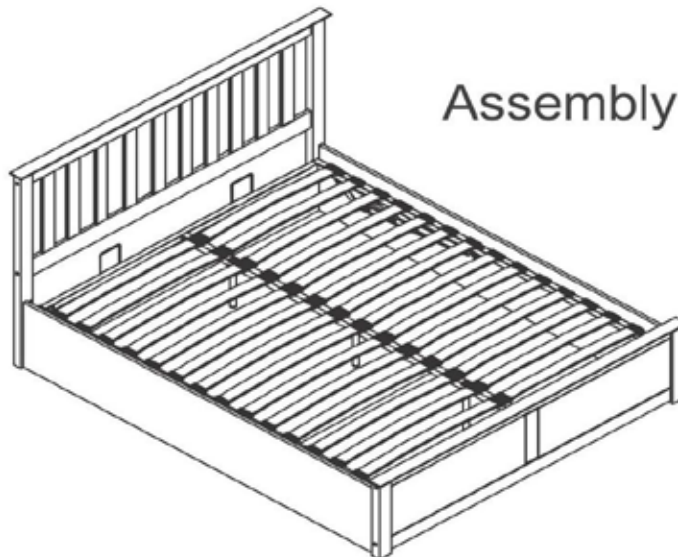


## Step 19



## Step 20

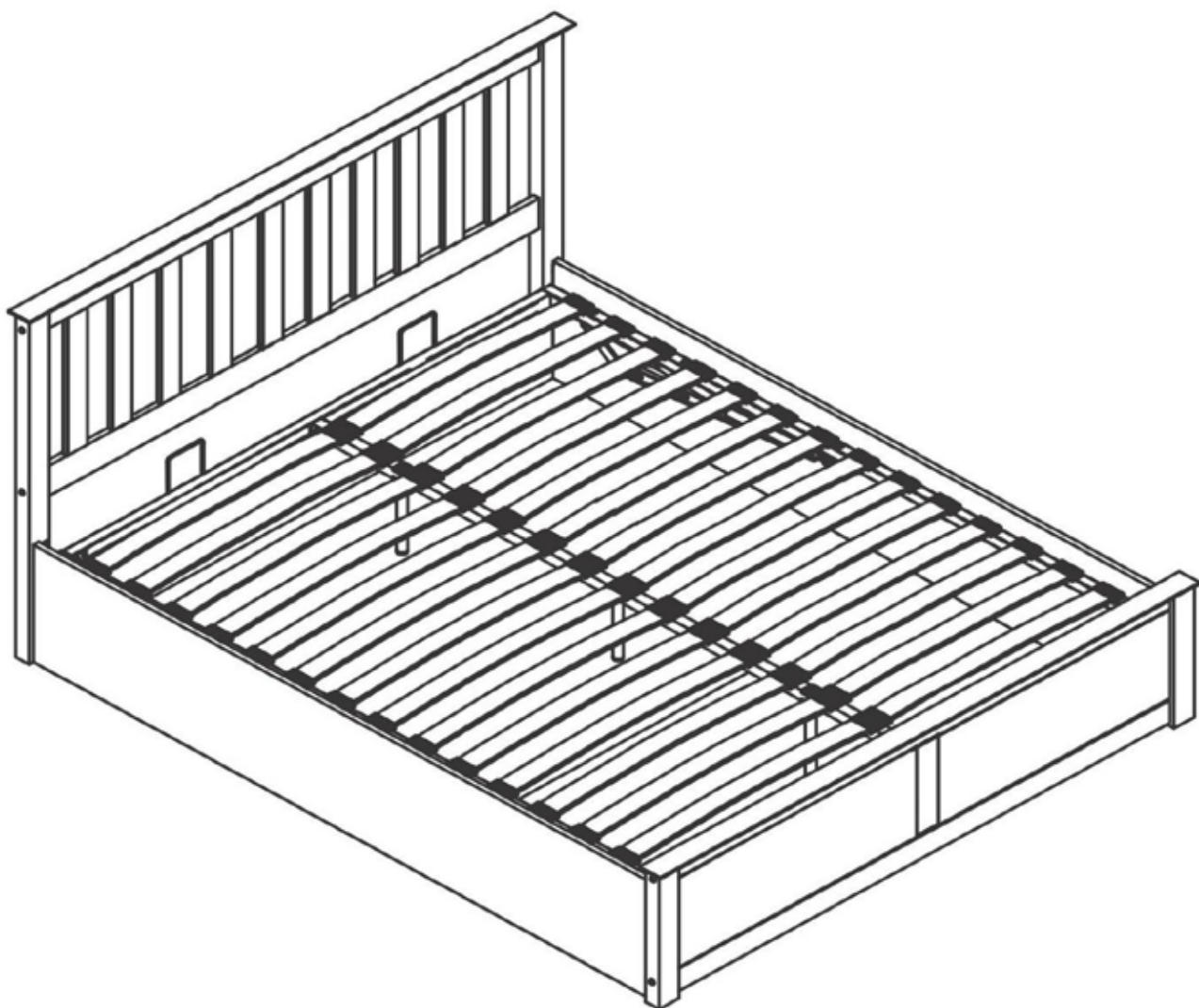
Assembly Complete



### HOW TO USE BED

When the bed is fully assembled, Lift the frame up using the nylon strap. To close the frame you will need to place both hands on the metal bar that is in the air and Apply pressure to close the bed. The bed will only work if this done centrally. Please also note the lift arms do not move up and down on their own and only work if the bed is fully assembled and is assembled correctly and will only work normally with the mattress on the frame. Depending on the weight of the mattress, the speed of the lift will vary so be careful until you get used to the speed. CAUTION:-keep fingers well away from the moving parts.

Thank you for your purchase, we hope you enjoy your product. If so please do leave a 5 star feedback on Home Treats Trust Pilot page. ★ ★ ★ ★ ★



In the unlikely event of a problem please contact our customer service from the purchase website, we are on hand to help solve the issue in a matter of hours.  
**hometreatsuk.com** Email: **service@hometreatsuk.com** Phone: **0161 250 9393**



**HomeTreats**

<---Activate your extended product warranty. Please scan the code or register at <https://hometreatsuk.com/warranty/>

Made in China for Doodle Products Ltd, OL10 2TR Production Ref: H018

## **IMPORTANT INFORMATION**

### **OTTOMAN OPERATING INSTRUCTIONS**

Once your bed frame is completely assembled, the slat frame unit will not operate correctly unless a mattress is placed on the slat frame. Position the mattress onto the slat frame whilst it is in the closed position.

The pistons used in the construction of this product are extremely strong and cannot be operated by hand when not fitted to the ottoman hinges. All pistons are tested in the factory for correct pressure and operation before use.

**Initially it might appear that the pistons are very stiff when opening and closing the ottoman frame, THIS IS NORMAL.**

After operating the ottoman a few times, the movement of the pistons and the opening and closing of the ottoman will become easier.

**PLEASE NOTE** - It takes a lot of force to make the initial movement of the ottoman. **THIS IS A DESIGN FEATURE OF THE PRODUCT SO THAT IT DOES NOT FALL SHUT.**

When the ottoman is almost shut, it will close completely under its own weight. The speed of closing depend on the weight of the mattress so always keep fingers clear of the frame.

Periodically check and tighten bolts to ensure that the components are tight and secure.

When lowering the slat unit for the first time, take care to make sure it does not rub unevenly on the inside face of the Side Rail. If it does, the bed has been assembled slightly out of square. This can be rectified by moving the Footboard of the bed slightly to the left or right whilst leaving the headboard of the bed frame stationary.

If you are experiencing difficulty with the initial compression try fitting one piston at a time (following the Assembly Instructions) then press down on the side of the frame with the piston fitted - this acts like a big lever (The weight of the mattress can be used to supplement the load exerted). Effectively you are doubling the amount of force applied, because you have halved the resistance offered by the pistons. It can take slightly more effort than you might feel comfortable applying to the bed frame at first.

## **WARNING**

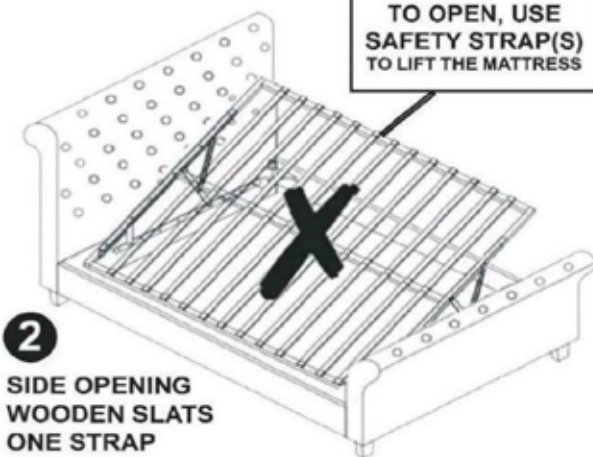
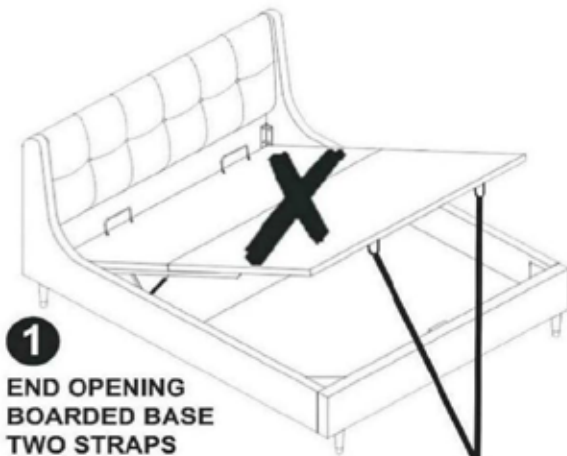
**For the safety of yourselves and others, please ensure that:**

- **Children and pets are not left unattended when the frame is in the lifted position as they could become trapped inside the ottoman space.**
- **Please keep children and pets away from the ottoman bedstead whilst opening and closing the slat frame to avoid injury.**
- **The items store under the bed - i.e. the top of an item must not touch the underside of the mattress metal frame base or it may get damaged.**

## ATTENTION Important Notes Regarding Gas Lifts

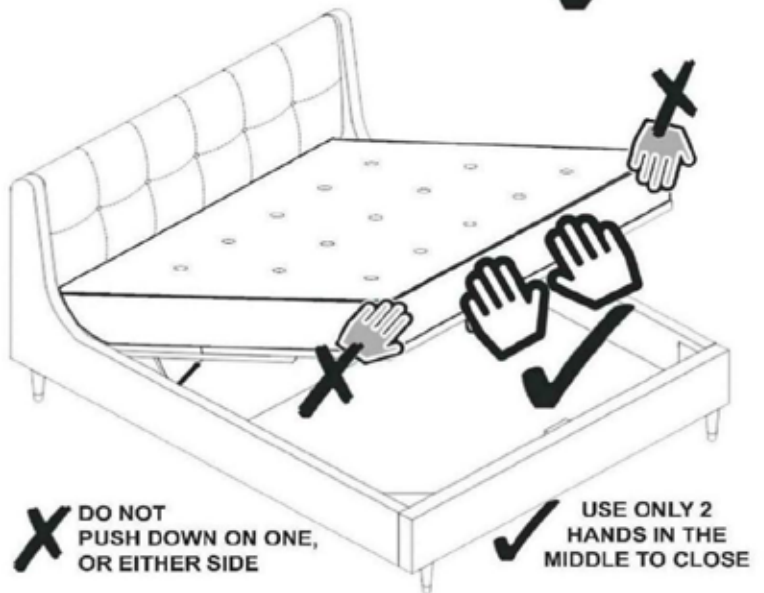
This information applies to all types of gas lift storage, regardless of the base top: boarded base ① or wooden slats ② and regardless of opening configuration: end opening ① / side opening ②

**NEVER OPEN OR CLOSE WITHOUT A MATTRESS ON TOP OR YOU RISK TWISTING THE FRAME, DAMAGING THE BED OR PERSONAL INJURY!**



TO OPEN, USE  
SAFETY STRAP(S)  
TO LIFT THE MATTRESS

**③** ONCE THE MATTRESS IS ON TOP,  
YOU CAN OPEN & CLOSE  
THE BED SAFELY ✓



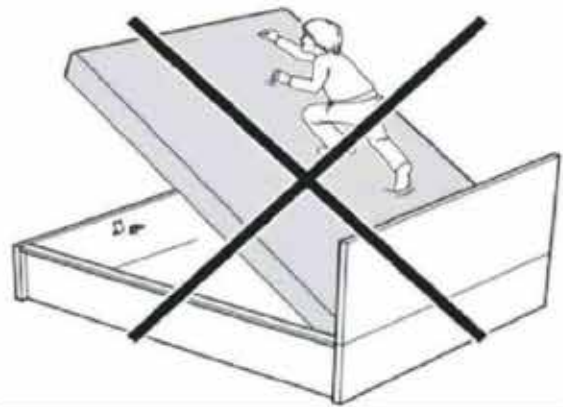
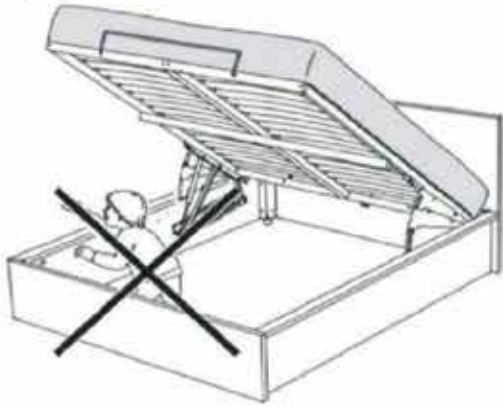
Once all the nuts and bolts are tightened firmly, the first time you close the lifting mechanism, push down with extra pressure to force open the seals on the pistons.

This will feel like a lot of pressure, so be firm and it will close!

1. NEVER operate without a mattress on top. Failure to do so will damage the bed.
2. Close by pushing down firmly, with both hands towards the centre, with equal pressure.
3. NEVER push down on only one side or edge, or you will damage your bed.
4. NEVER sleep on the bed frame without a mattress.
5. Please remember to re-tighten all nuts & bolts within the bed frame after 2 weeks of use.

# Hints and Tips

Failure to do so may result in injury.



Bed frame must be CLOSED when moving the bed.



## Hints and Tips

**Failure to do so may result in injury.**

To operate the ottoman, always use two hands at arm's length to push down on the bed frame end, in between the 2 rows of slats (as shown below) to close the bed frame.

To open, lift up using the nylon strap on the bed end. You must always ensure the mattress is on the bed frame before lifting to open and close the bed frame.

The weight of the mattress loaded on the frame helps to close the bed frame easier and with less effort, also keep the frame closed position until it is pulled upwards by user.



 Always ensure Mattress is on the bed frame

