

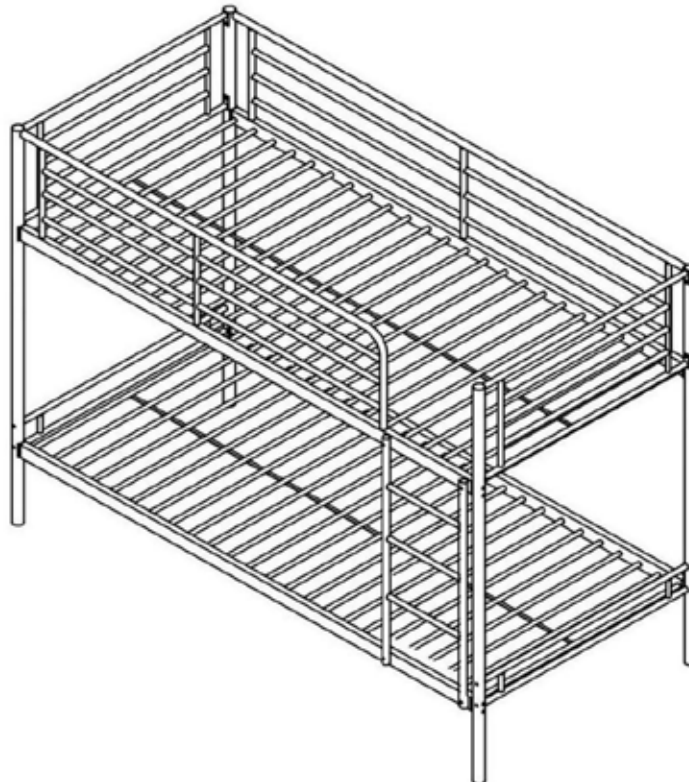
# Home Treats

## ASSEMBLY INSTRUCTIONS

### SAFFRON BUNK

KA1047

IMPORTANT: READ CAREFULLY - RETAIN FOR FUTURE REFERENCE.

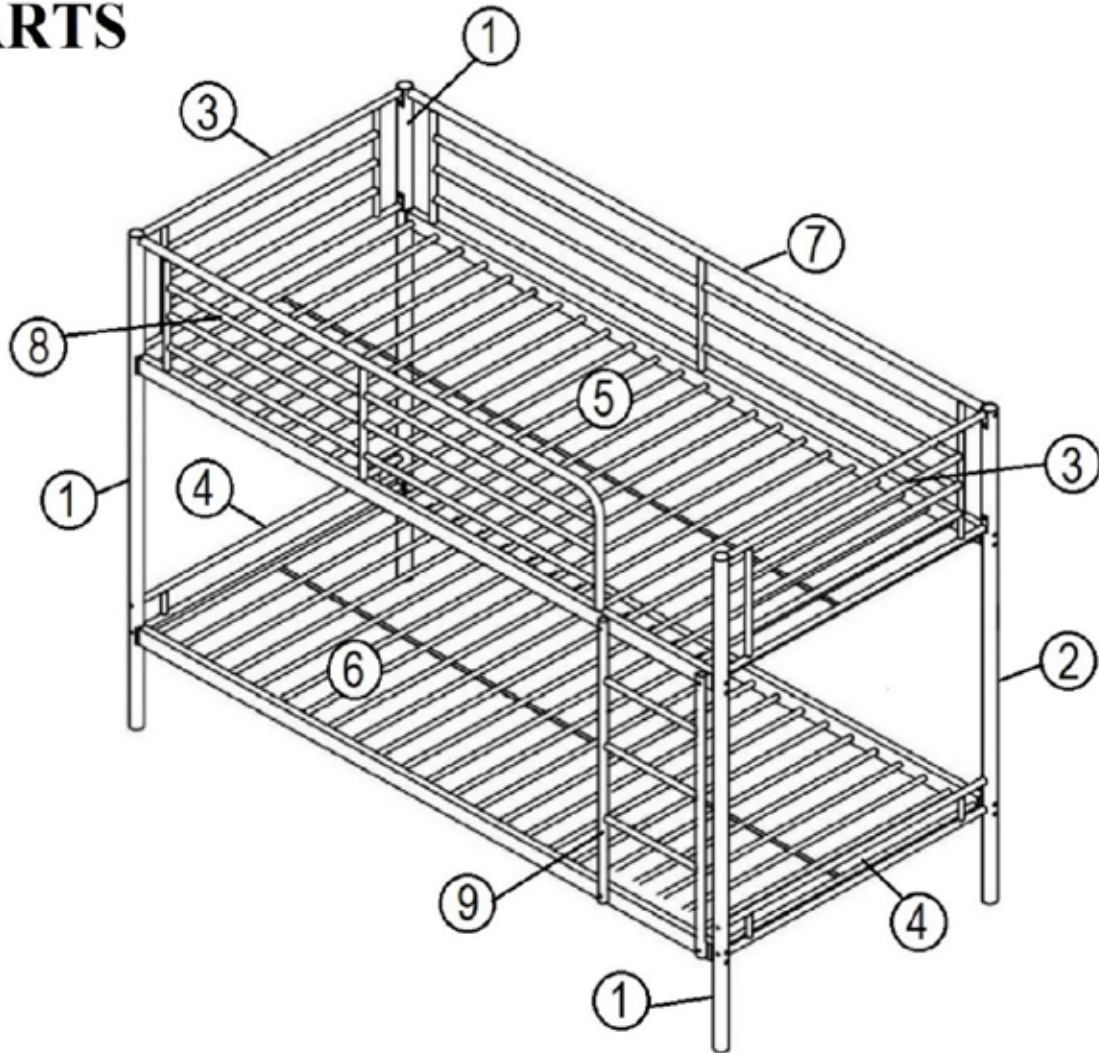


#### SAFETY WARNING

- All bunk beds and high beds intended to be assembled by someone other than the manufacturer or their representative shall contain assembly instructions, a list of parts supplied and details of any tools required to assemble the bed.
- We recommend that you use the mattress at size: 1900 x 900 x 160mm
- All assembly fastenings should always be tightened properly and that care should be taken that no fittings are loose.
- Instructions regarding positioning and connection of the means of access.
- The ladder is not for playing on, only use to climb onto top bunk.
- We recommend only one person on the upper bunk at one time.
- **Warning:** - The bunk bed or high bed should not be used if any structural part is broken or missing.
- The top of the mattress shall be at least 160mm below the upper edge of the safety barriers.
- **Warning:** - Children can become trapped between the bed and the wall.  
To avoid risks of serious injury, the distance between the top barrier and the wall shall not exceed 75mm or shall be more than 230mm
- **Warning:** - "High beds and upper level of the bunk beds are not suitable for children under six years due to the risk of injury from falls."
- **Warning:** - "Bunkbeds and high beds can present a serious risk of injury from strangulation if not used correctly. Never attach or hang items to any part of the bunk bed that are not designed to be used with the bed, for example, but not limited to ropes, strings, cords, hooks, belts and bags.
- The ventilation of the room is necessary in order to keep the humidity low and to prevent mold in and around the bed.
- The manufacturer's instructions must be always followed.
- EN747-1 & 2: 2012+A1: 2015 TEST Version.

PLEASE CHECK THAT YOU HAVE ALL THE PARTS LISTED BEFORE YOU START ASSEMBLY.  
IF YOU DO FIND SOMETHING MISSING, PLEASE CONTACT YOUR SUPPLIER IMMEDIATELY.

## PARTS



① BED POST (3x)	⑥ BOTTOM MATTRESS FRAME BASE (1x)
② BED POST (1x)	⑦ TOP REAR GUARD RAIL (1x)
③ TOP HEAD & FOOT END (2x)	⑧ TOP FRONT GUARD RAIL (1x)
④ BOTTOM HEAD & FOOT END (2x)	⑨ ACCESS LADDER (1x)
⑤ TOP MATTRESS FRAME BASE (1x)	

### CARE & MAINTENANCE

- 1) No power tools shall be used for assembly of the bed. Use only allen key provided for assembly.
- 2) Periodically check and ensure all bolts and nuts are fully tightened.





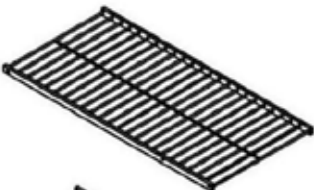
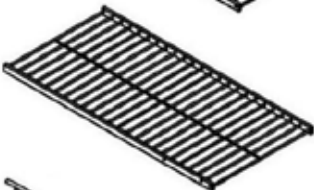


### Method of Cleaning

- 1) Use damp cloth for normal cleaning.
- 2) For bright parts, use a clean dry duster only.

USE OF POWER TOOLS TO ASSEMBLE THIS PRODUCT WILL INVALIDATE ANY CLAIM AND MAY DAMAGE THIS PRODUCT, MAKING IT UNSAFE.



**PLEASE CHECK THAT YOU HAVE ALL THE PARTS LISTED BEFORE YOU START ASSEMBLY. IF YOU DO FIND SOMETHING MISSING, PLEASE CONTACT YOUR SUPPLIER IMMEDIATELY.**

REF	PICTURE	DESCRIPTION	QTY.
①		BED POST	3x
②		BED POST	1PC
③		TOP HEAD & FOOT END	2x
④		BOTTOM HEAD & FOOT END	2x
⑤	 	TOP MATTRESS FRAME BASE	1x
⑥		BOTTOM MATTRESS FRAME BASE	1x
⑦		TOP REAR GUARD RAIL	1x
⑧		TOP FRONT GUARD RAIL	1x
⑨		ACCESS LADDER	1x

#### **CARE & MAINTENANCE**

- 1) No power tools shall be used for assembly of the bed. Use only allen key provided for assembly.
- 2) Periodically check and ensure all bolts and nuts are fully tightened.

#### **Method of Cleaning**












- 1) Use damp cloth for normal cleaning.
- 2) For bright parts, use a clean dry duster only.

USE OF POWER TOOLS TO ASSEMBLE THIS PRODUCT WILL INVALIDATE ANY CLAIM AND MAY DAMAGE THIS PRODUCT, MAKING IT UNSAFE.



**PLEASE CHECK THAT YOU HAVE ALL THE PARTS LISTED BEFORE YOU START ASSEMBLY. IF YOU DO FIND SOMETHING MISSING, PLEASE CONTACT YOUR SUPPLIER IMMEDIATELY.**

## **HARDWARE**

Ref	Picture	Description	Qty
a		Bolt M6 x 15mm	16 pcs
b		Bolt M6 x 35mm	4 pcs
c		Bolt M6 x 60mm	9 pcs
d		Bolt M8 x 55mm	16 pcs
e		M6 Nut	4 pcs
f		M6 Curved Washer	3 pcs
g		M8 Washer	16 pcs
h		Screw #4	2 pcs
i		Wall Plug	2 pcs
j		L-Bracket	2 pcs
k		Allen Key	2 pcs

### **CARE & MAINTENANCE**

- 1) No power tools shall be used for assembly of the bed. Use only allen key provided for assembly.
- 2) Periodically check and ensure all bolts and nuts are fully tightened.


### **Method of Cleaning**

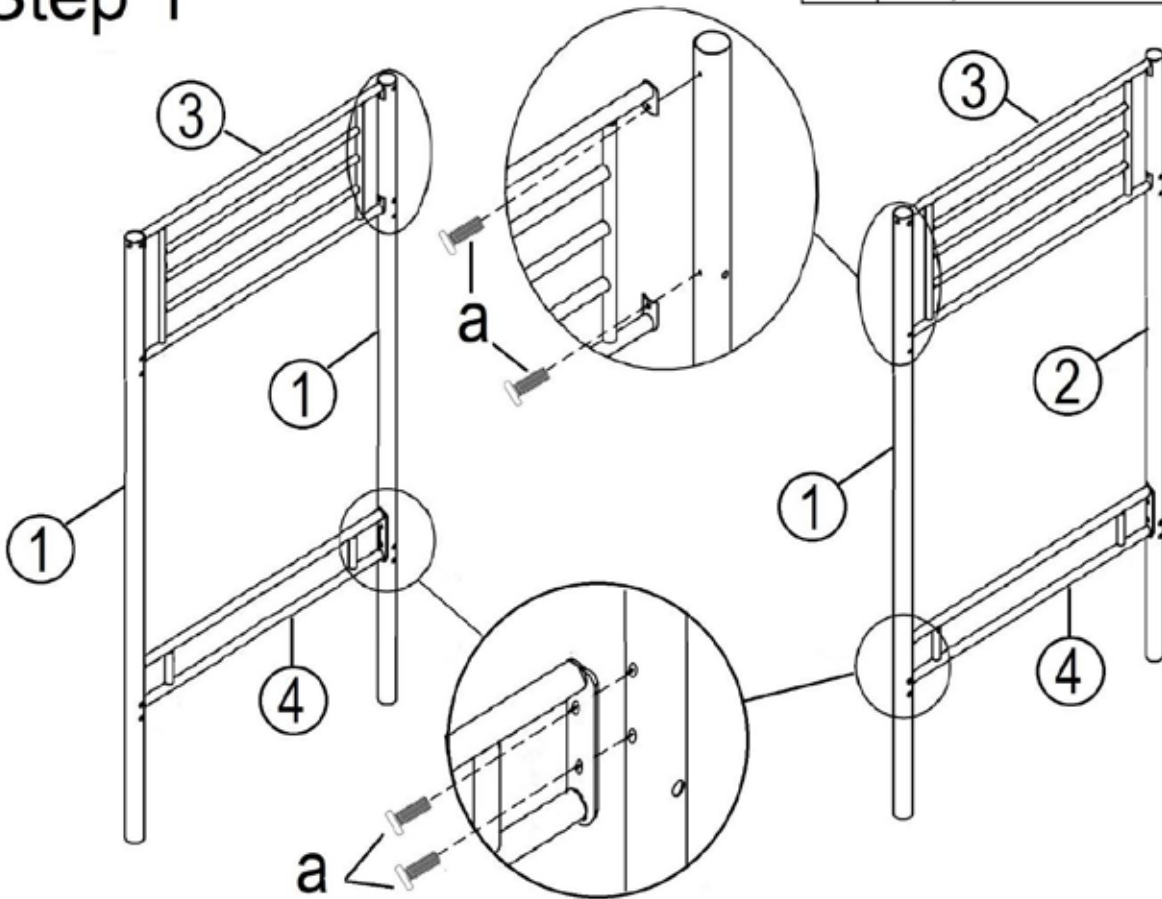
- 1) Use damp cloth for normal cleaning.
- 2) For bright parts, use a clean dry duster only.

**USE OF POWER TOOLS TO ASSEMBLE THIS PRODUCT WILL INVALIDATE ANY CLAIM AND MAY DAMAGE THIS PRODUCT, MAKING IT UNSAFE.**



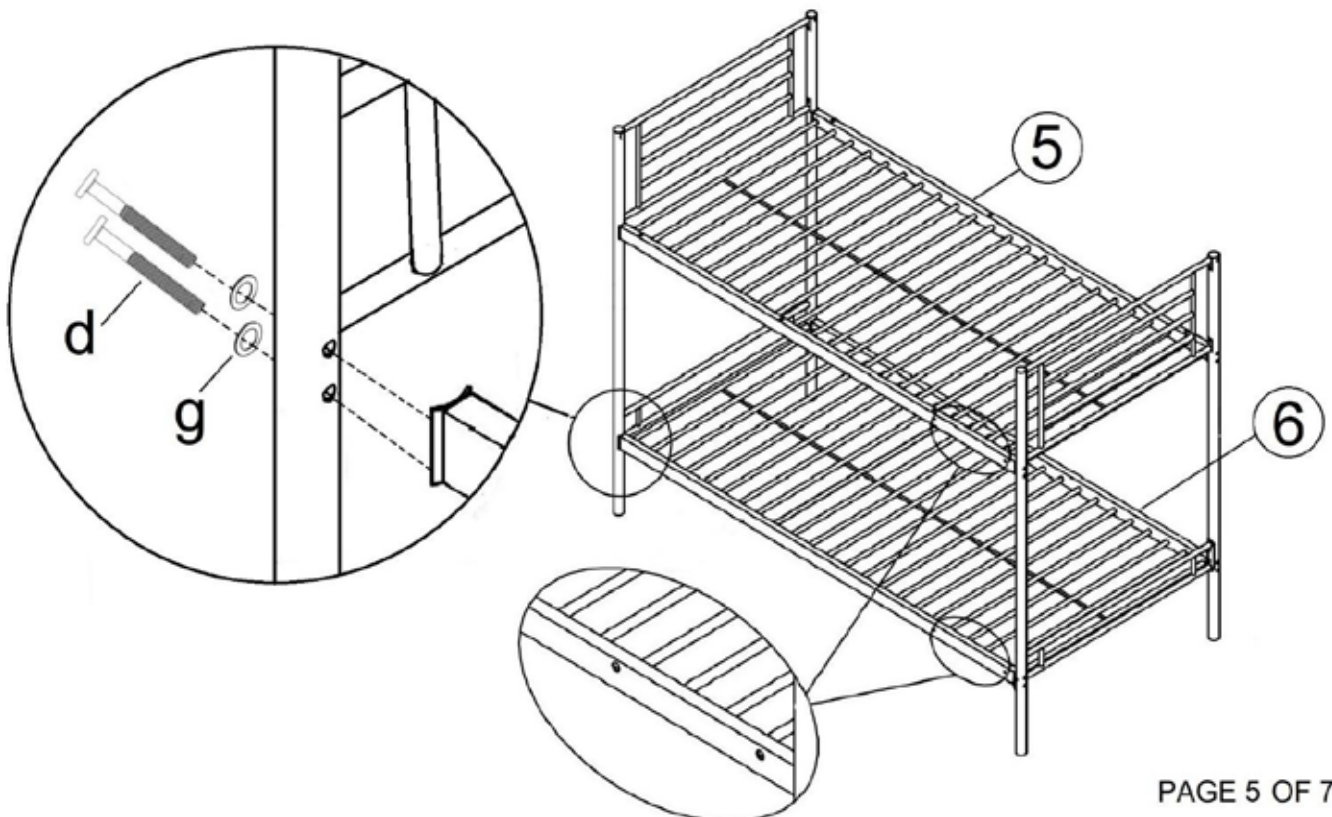
# Step 1

<b>a</b>		Bolt M6 x 15mm	16 pcs
----------	---	----------------	--------





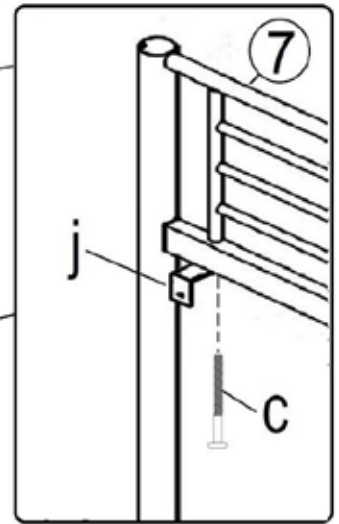
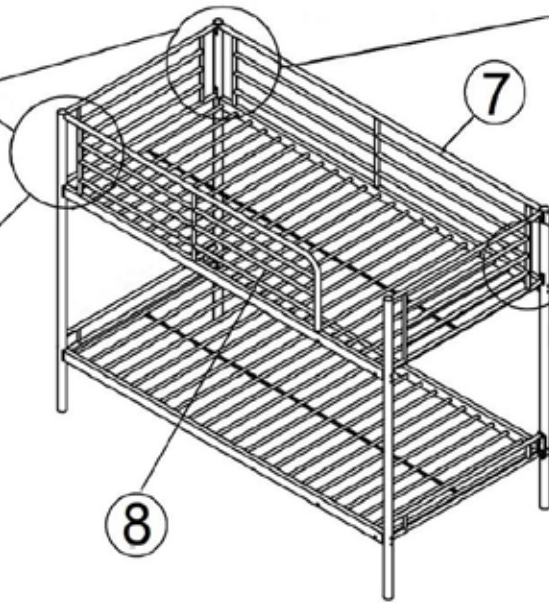
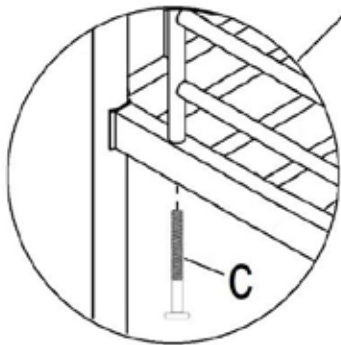
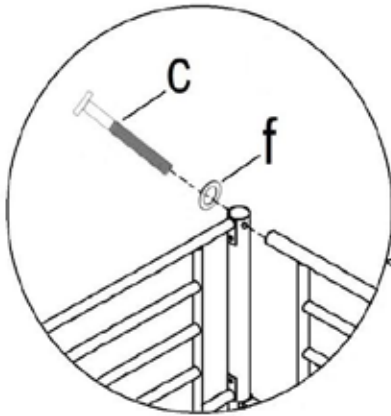
# Step 2

<b>d</b>		Bolt M8 x 55mm	16 pcs
<b>g</b>		M8 Washer	16 pcs





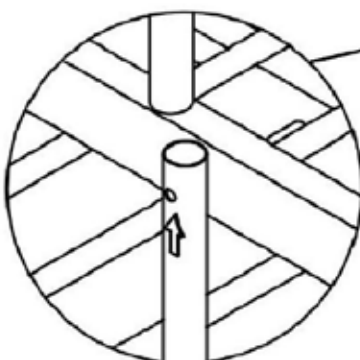
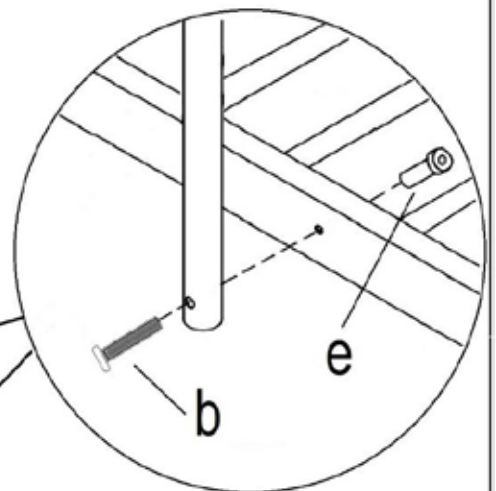
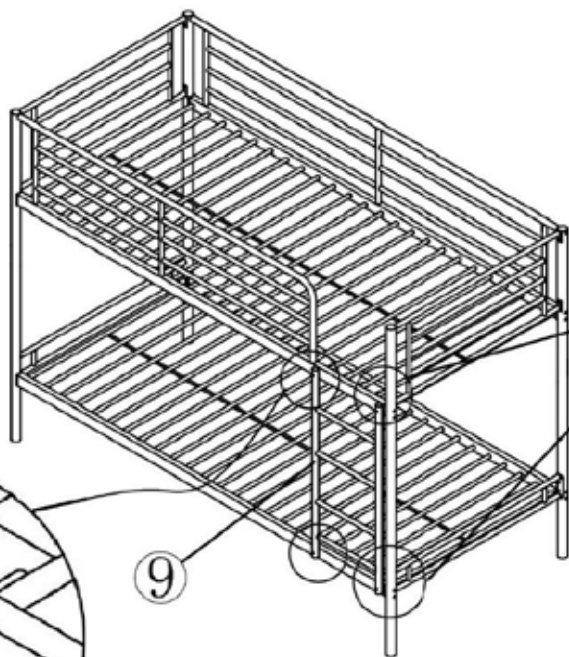
### Step 3

c		Bolt M6 x 60mm	9 pcs
f		M6 Curved Washer	3 pcs






### Step 4

b		Bolt M6 x 35mm	4 pcs
		M6 Nut	4 pcs



# Step 5

h		Screw #4	2 pcs
i		Wall Plug	2 pcs
j		L-Bracket	2 pcs

