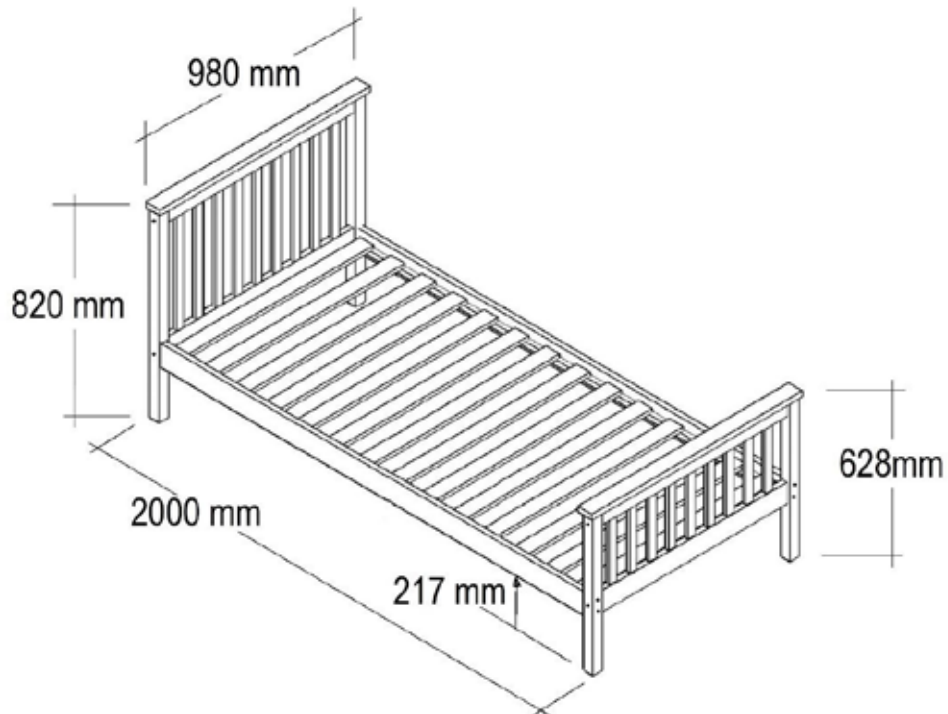


# Home Treats

KA1019


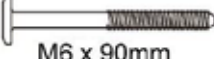



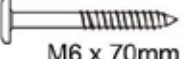
## ASSEMBLY INSTRUCTIONS





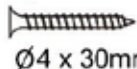



Attention: Please remove mattress from the bed should you wish to clean the floor under the bed. Dragging the bed around with mattress might compromise the bed construction, stability or cause permanent damage.

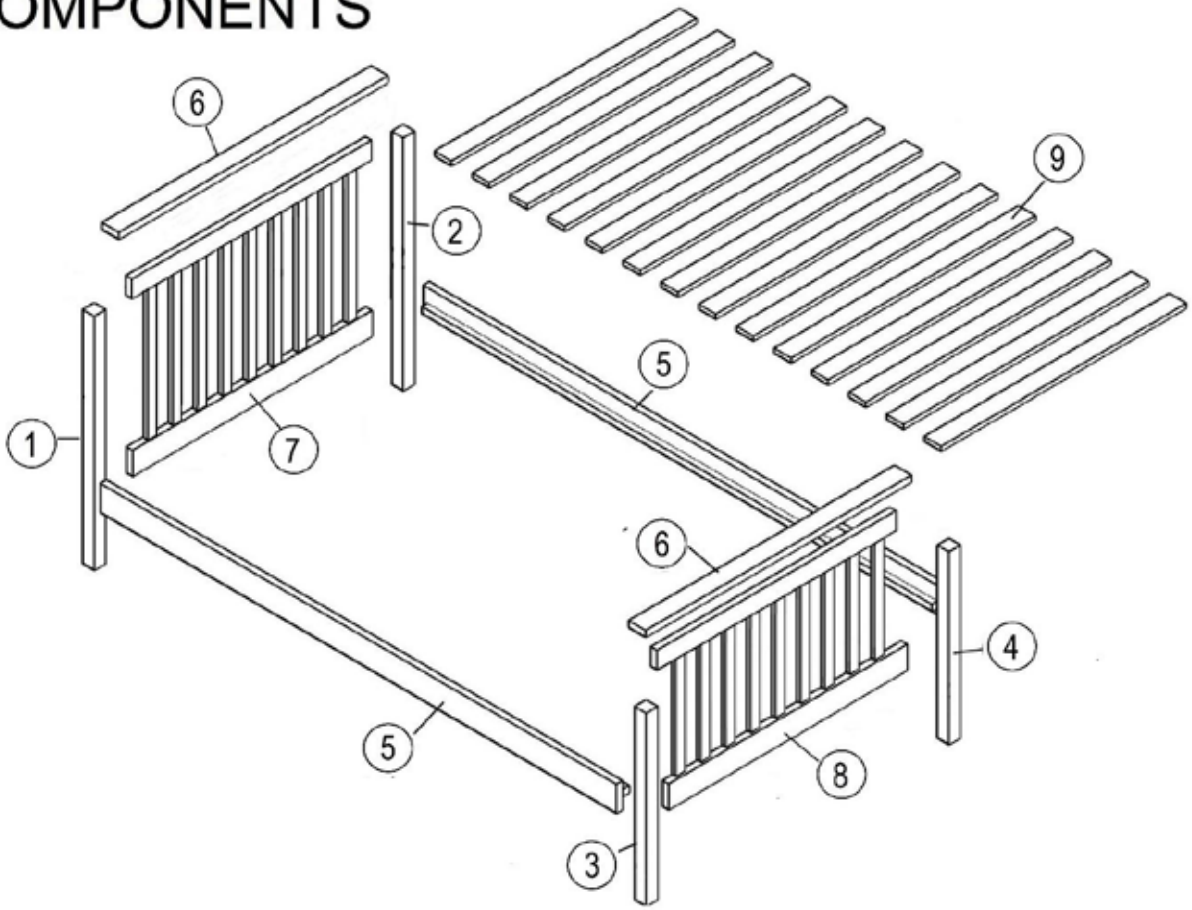
In the unlikely event parts or fittings are missing or damaged in transit. Please contact the seller on the website your purchase was made. Our customer service team will assist. We are able to arrange replacement parts to complete assembly.

## HARDWARE

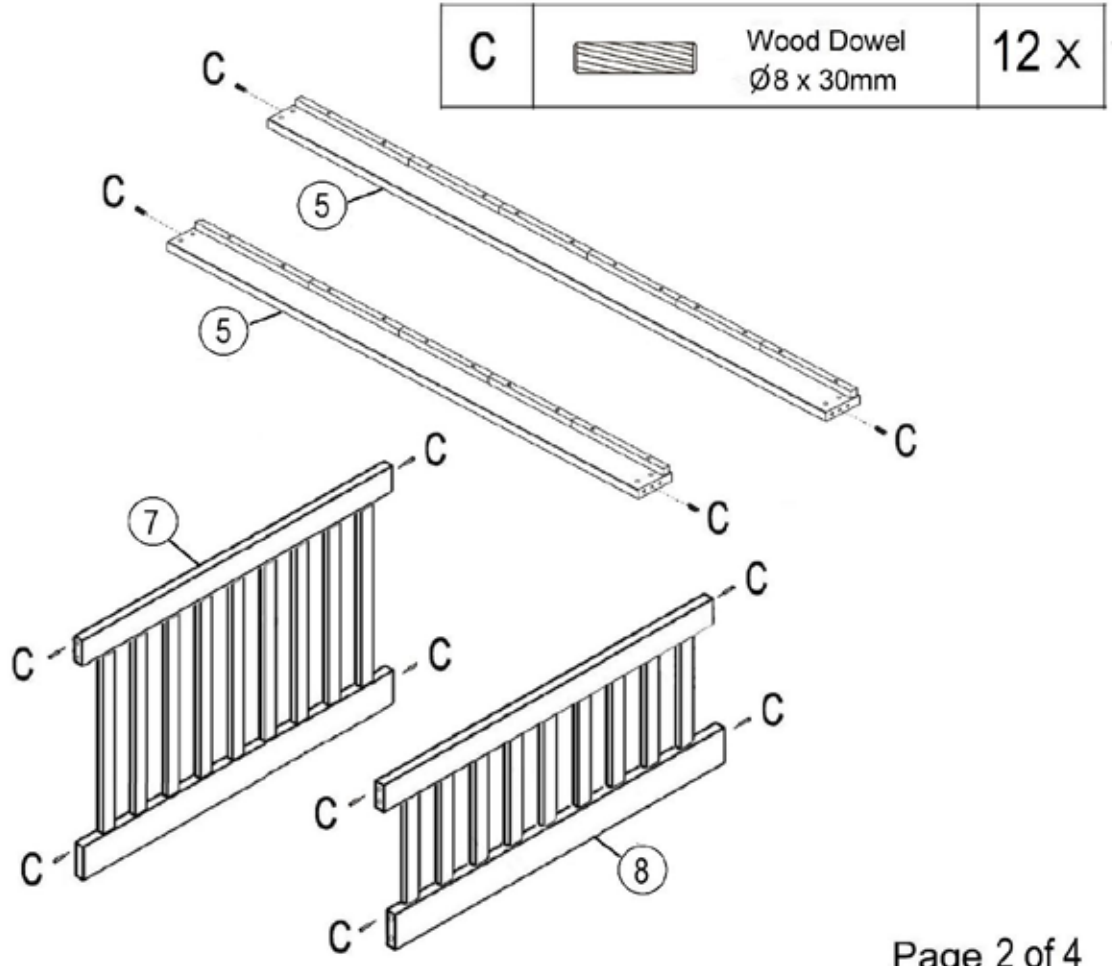
A	 	12 X
B	 T-Nut	12 X
C	 Wood Dowel Ø8 x 30mm	12 X
D	 	4 X

E	 	6 X
F	 Allen Key	1 X
G	 	28 X
H	 Screw Driver ( Not Provided )	


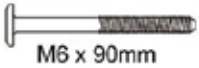


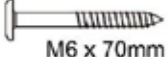
# COMPONENTS

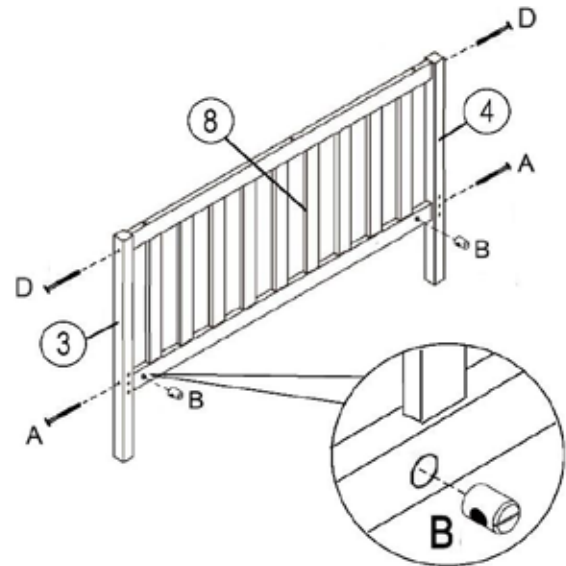
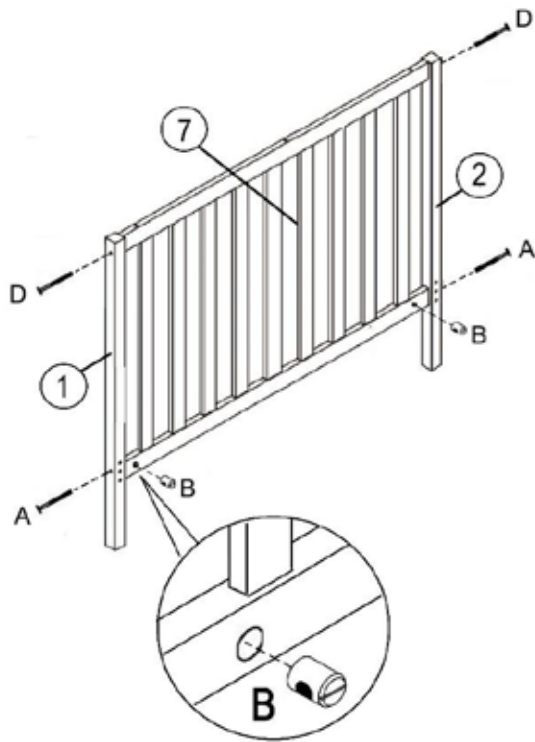


## Step 1



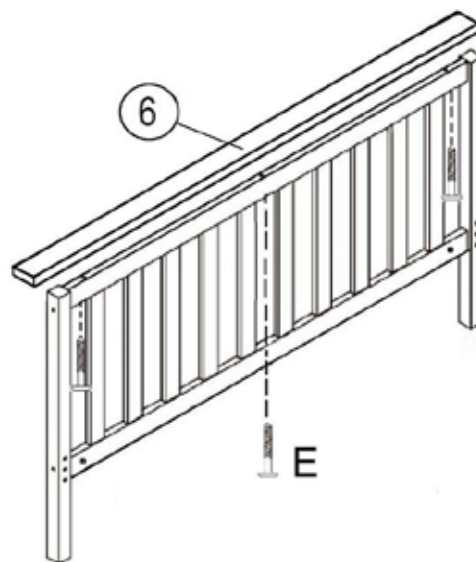
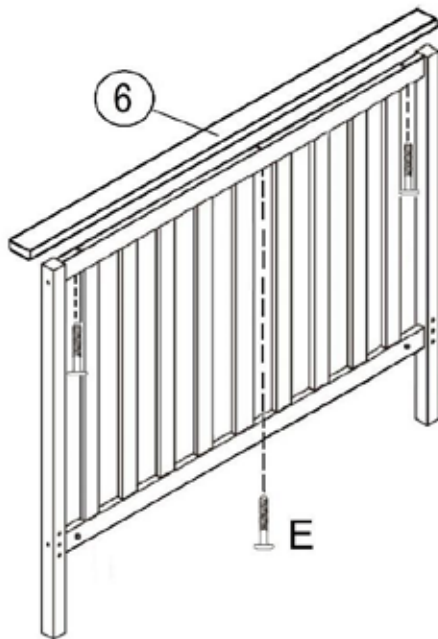
# Step 2

A	 15mm	 M6 x 90mm	4 x
B		T-Nut	4 x
D	 15mm	 M6 x 70mm	4 x


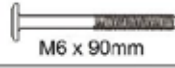



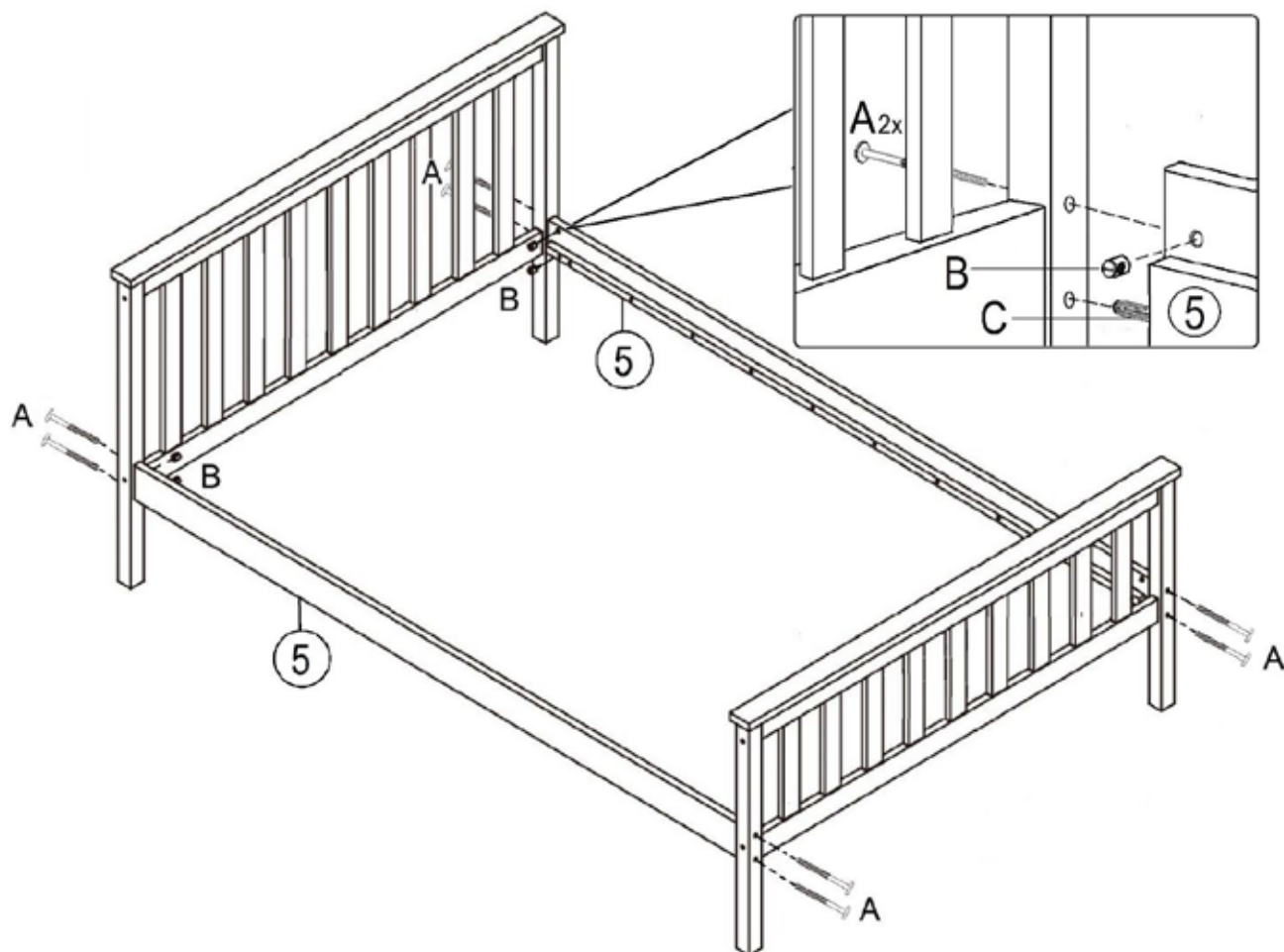
# Step 3

E	 15mm	 M6x70mm	6 x
---	---	---	-----


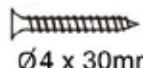


# Step 4

A	 	8 X
B	 T-Nut	8 X



# Step 5

G	 	28 X
---	---	------

