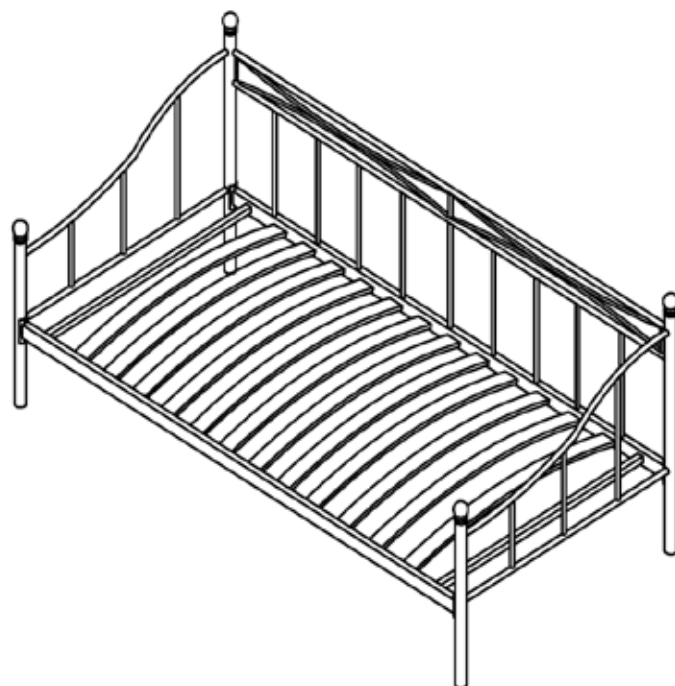


Home Treats

ASSEMBLY INSTRUCTIONS

KA780
(Daybed)







In the unlikely event parts are missing or damaged in transit.
Please contact the seller on the website your purchase was made.

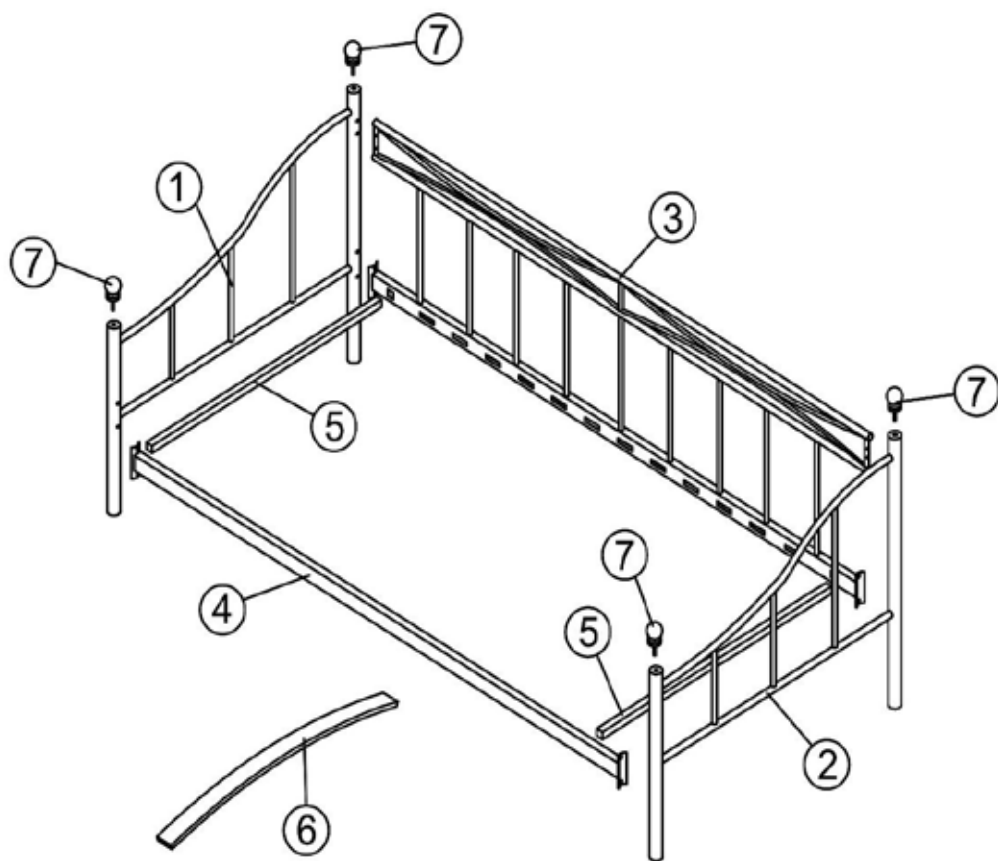
Our customer service team will assist.

We are able to arrange replacement parts to complete assembly.

HARDWARE




A	 M6x15mm	4
B	 M6x25mm	4
C	 M8x20mm	8
D		24

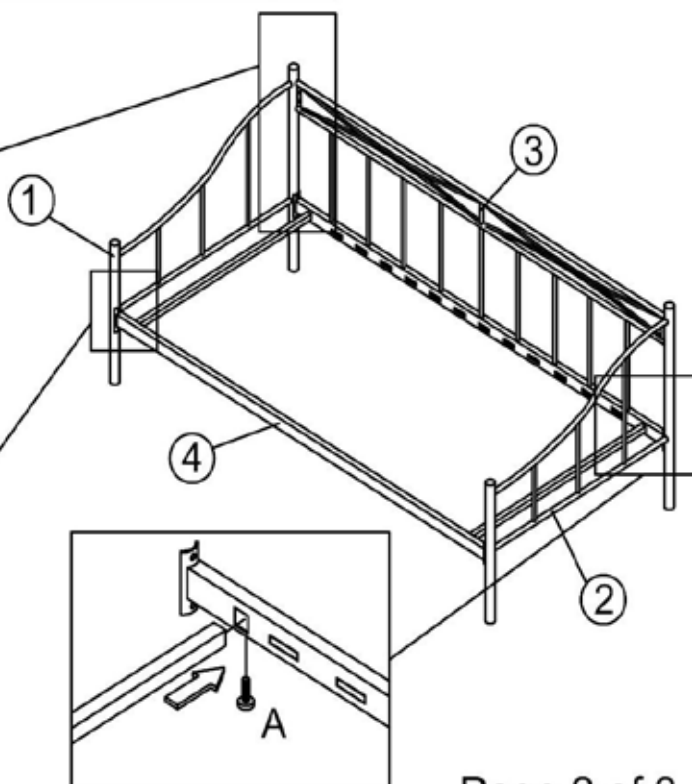
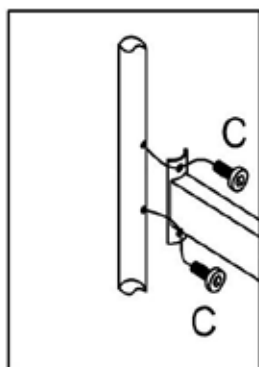
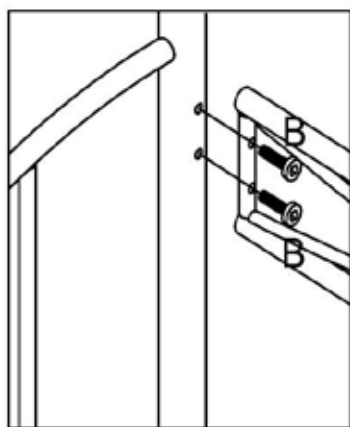
E		1
---	--	---



COMPONENTS

01

A	 M6x15mm	4	C	 M8x20mm	8
B	 M6x25mm	4			

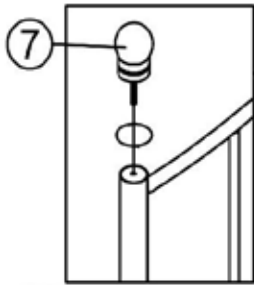


02

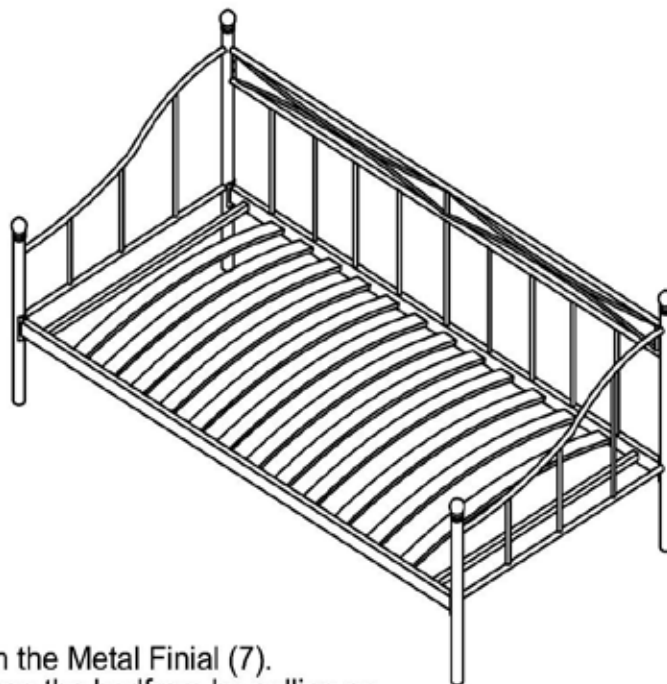
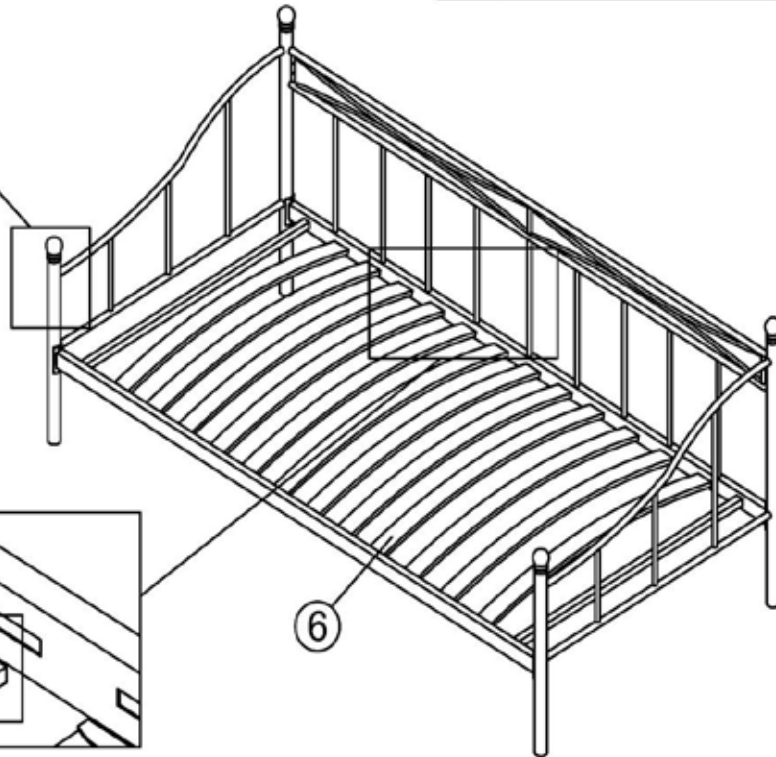
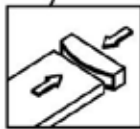
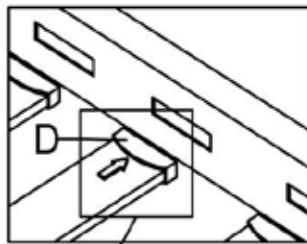
D



24



Do Not Overtighten the Metal Finial (7)



CAUTIONS:

Do Not Overtighten the Metal Finial (7).
Do Not Move or Drag the bedframe by pulling or pushing on the Finial, as this will cause the connection mechanisms to break. To move the bedframe, be sure to remove the mattress, and lift the bedframe by two persons.