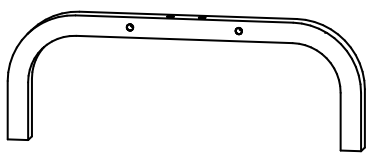


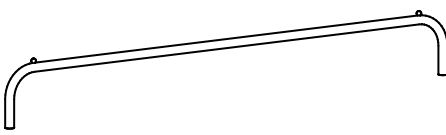


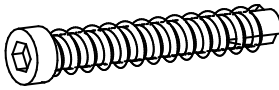
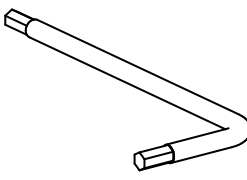




Parts Included

A Under frame	B Horizontal tubes	C Vertical tubes
 <p style="text-align: right;">x2</p>	 <p style="text-align: right;">x2</p>	 <p style="text-align: right;">x2</p>
D Top steel tube	E Foot pads	F Butterfly nuts
 <p style="text-align: right;">x1</p>	 <p style="text-align: right;">x4</p>	 <p style="text-align: right;">x4</p>
G Long screw	H Wrench	
 <p style="text-align: right;">x8</p>	 <p style="text-align: right;">x1</p>	

Attention

Read the instructions carefully before constructing and using the product

1. The steel pipe may be sharp, take care when handling.
2. Check all parts are included before beginning construction.
3. Please be sure to assemble in the correct order in accordance with the instructions.
4. Please push on foot pads with force to secure.

Thank you for your purchase, we hope you enjoy your product. If so please let other buyers know what you think by leaving 5 star feedback.



In the unlikely event of a problem please contact our customer service from the purchase website, we are on hand to help solve the issue in a matter of hours.

HomeTreats

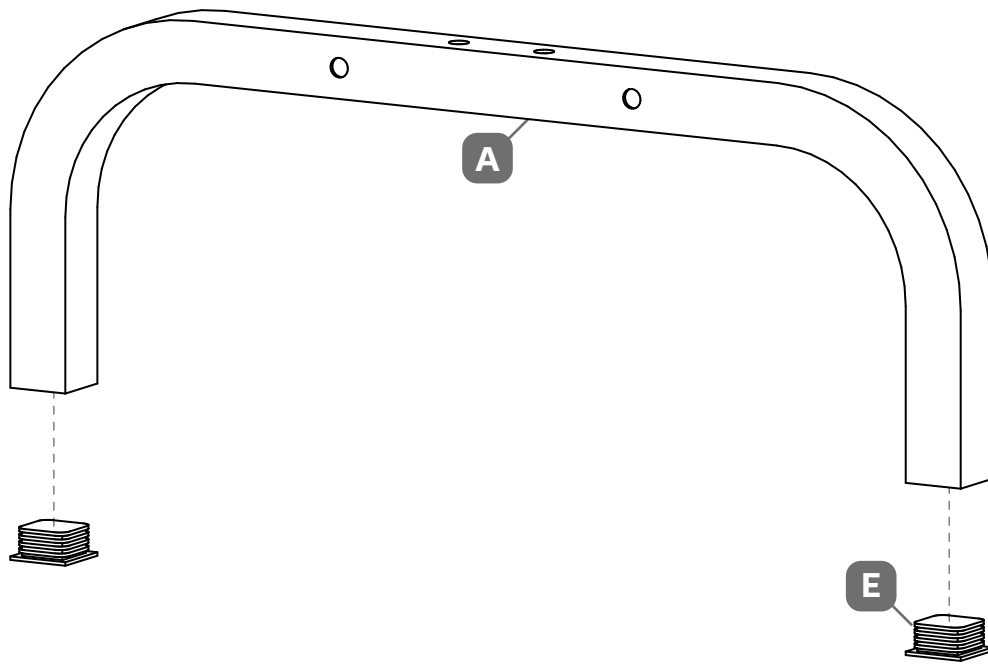
hometreatsuk.com

Email: service@hometreatsuk.com

Phone: 0161 250 9393

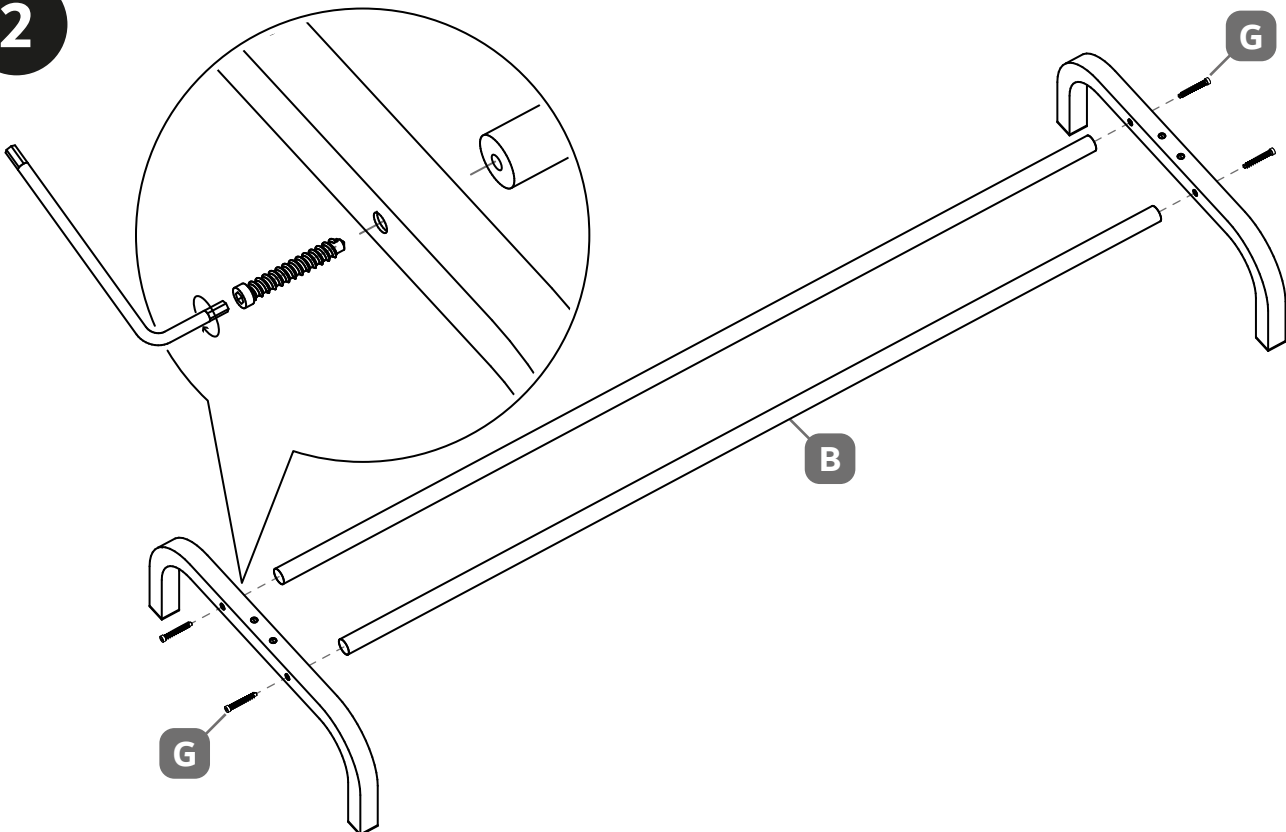
Construction Instructions

1



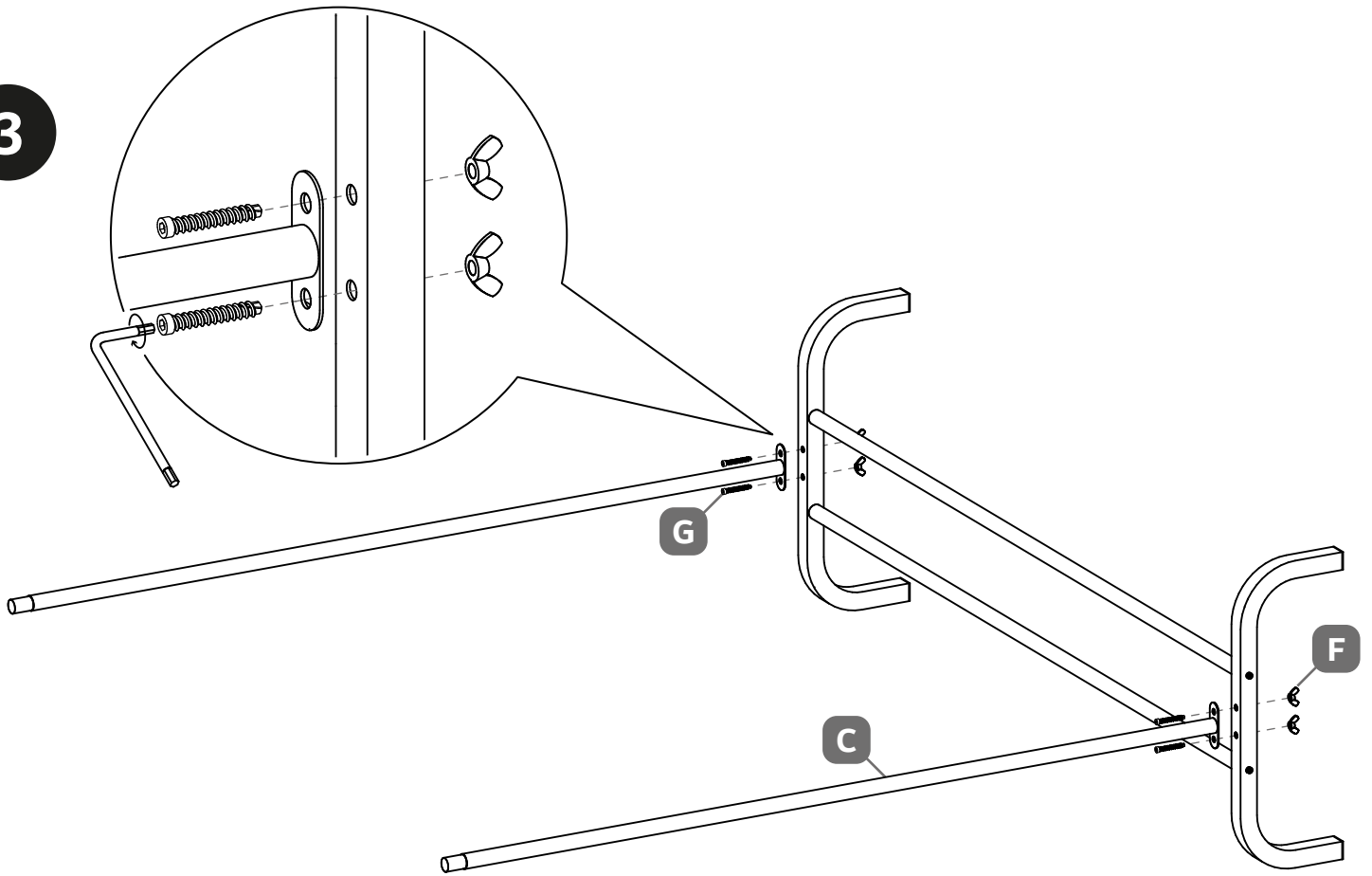
Insert the foot pads into the underframe.

2



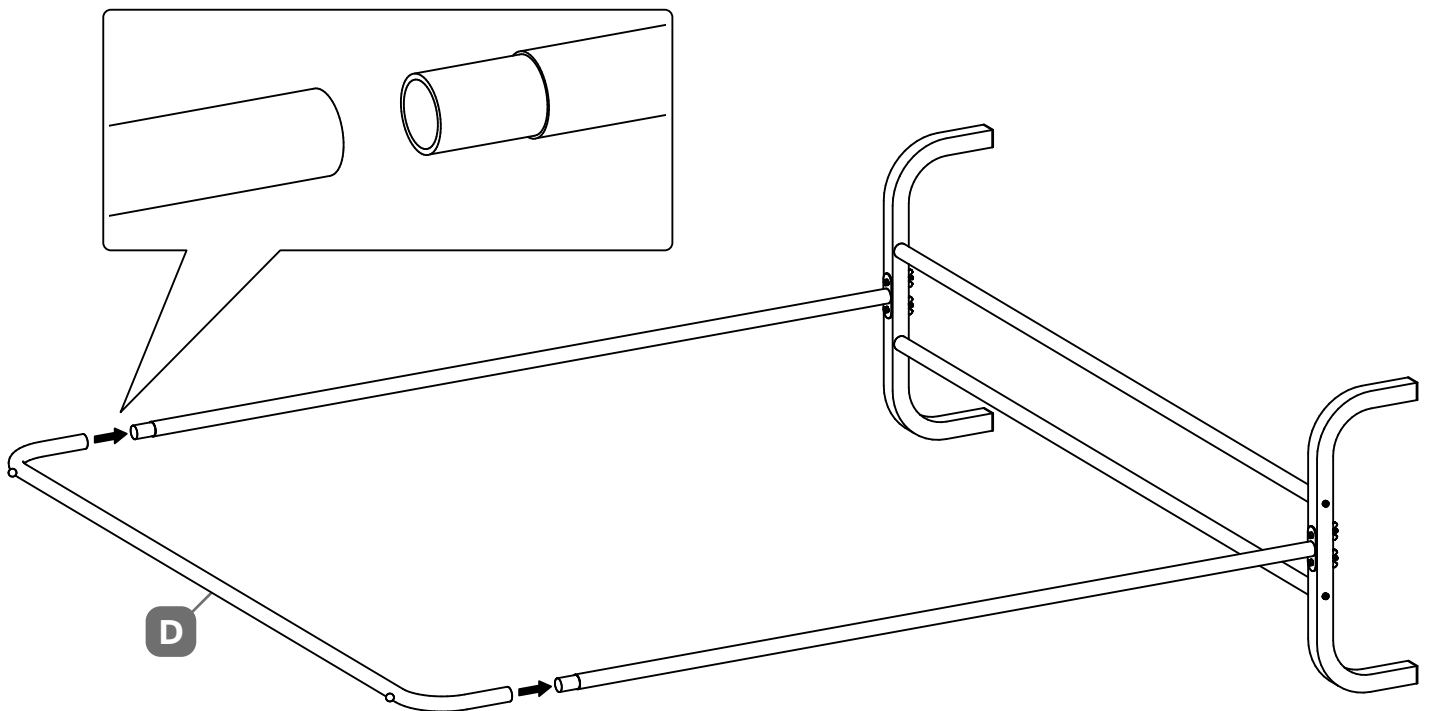
Screw the horizontal tubes to the underframe.

3



Screw the vertical tubes to the underframes using long screw and butterfly nuts.

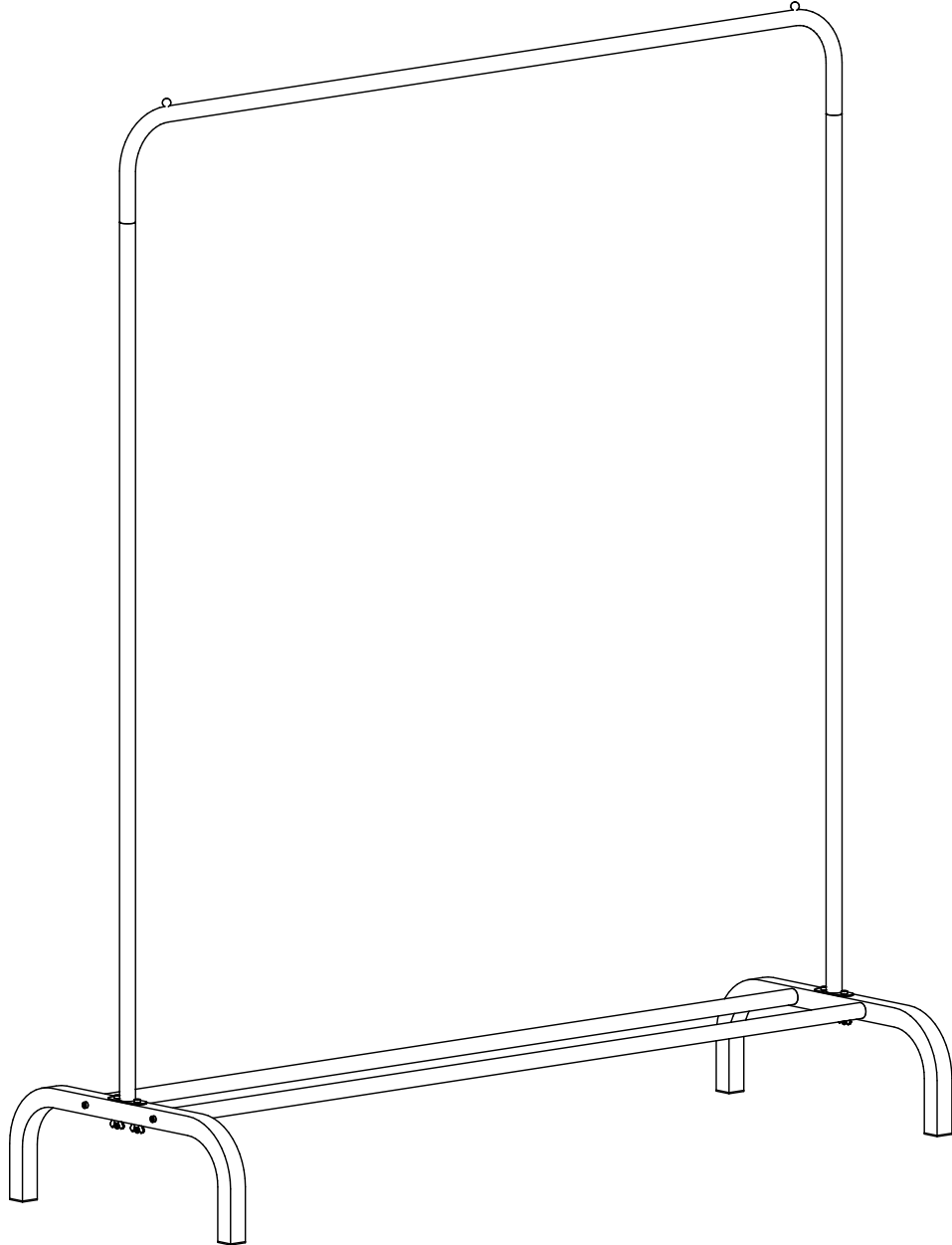
4



Install the top steel tube to the vertical tubes.

5

Complete assembly.



HomeTreats

<---Activate your extended product warranty. Please scan the code or register at <https://hometreatsuk.com/warranty/>

Made in China for Doodle Products Ltd, OL10 2TR

Production Ref: Y016